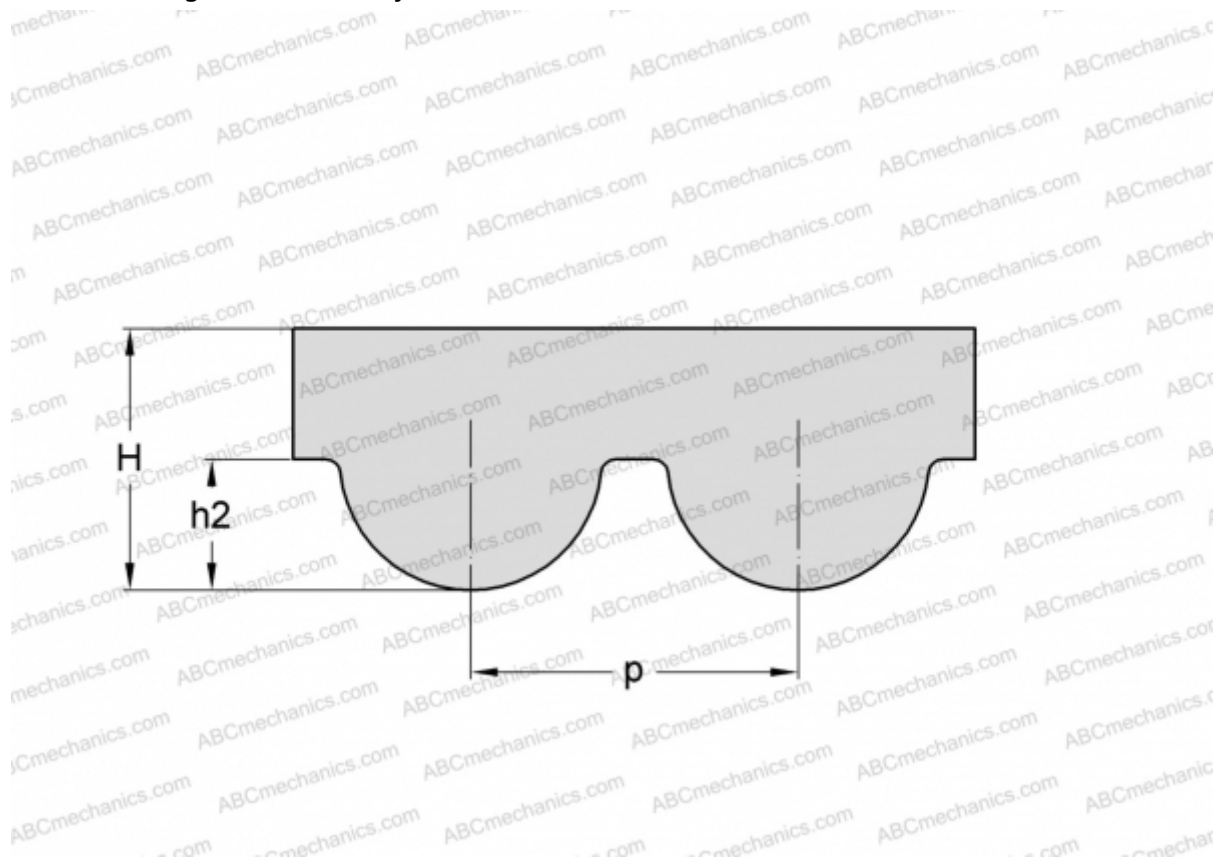


PHG 1344-3M-15 SKF

HiTD belt

TYPE: Classical timing belts, Oneway, HiTD, Section 3M (SKF)



Technical specification

DIMENSIONS, MM

| | |
|------------------|----------|
| Pitch teeth, p | 3,000 |
| Estimated length | 1344,000 |
| Width, W | 15,000 |
| Height, H | 2,400 |
| h_2 | 1,200 |
| Number of teeth | 448 |

MANUFACTURER

[SKF](#)