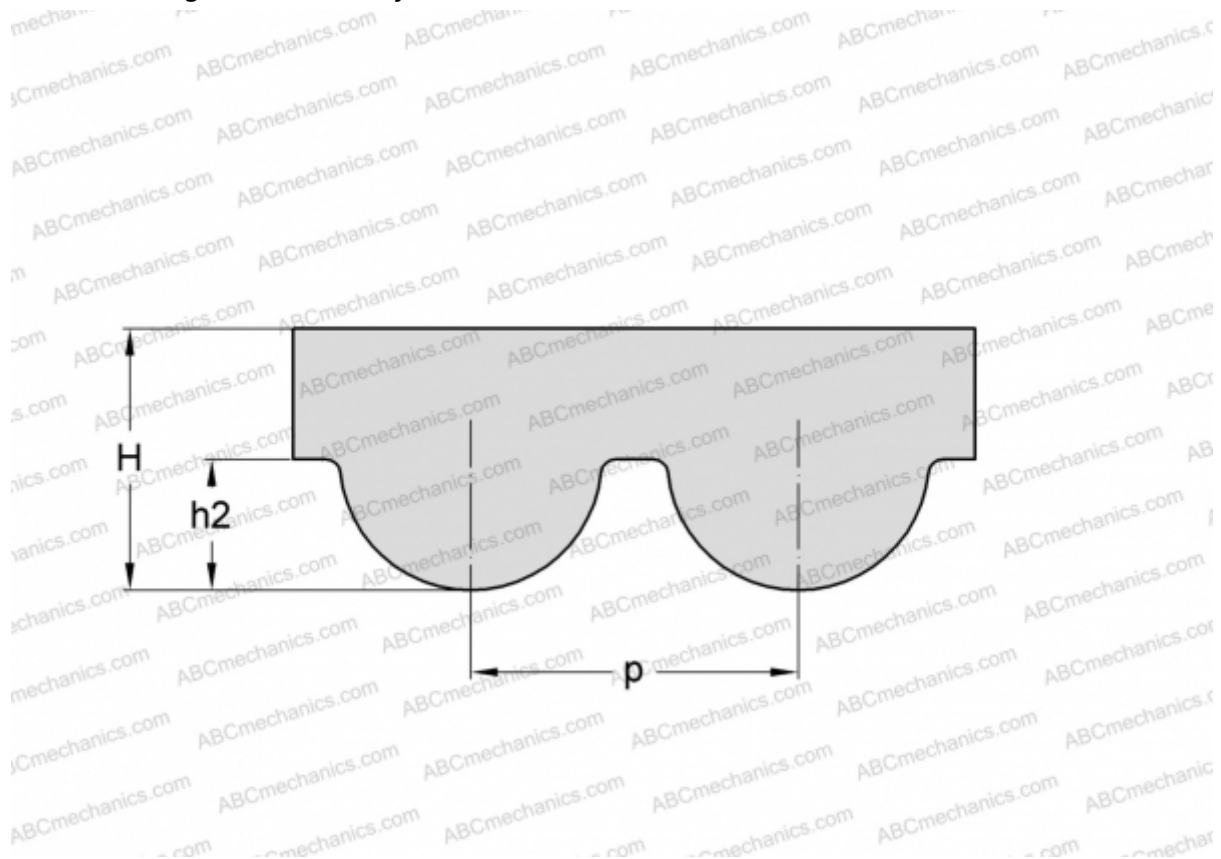


PHG 1180-5M-15 SKF

HiTD belt

TYPE: Classical timing belts, Oneway, HiTD, Section 5M (SKF)



Technical specification

DIMENSIONS, MM

Pitch teeth, p	5,000
Estimated length	1180,000
Width, W	15,000
Height, H	3,600
h2	2,100
Number of teeth	236

MANUFACTURER

[SKF](#)