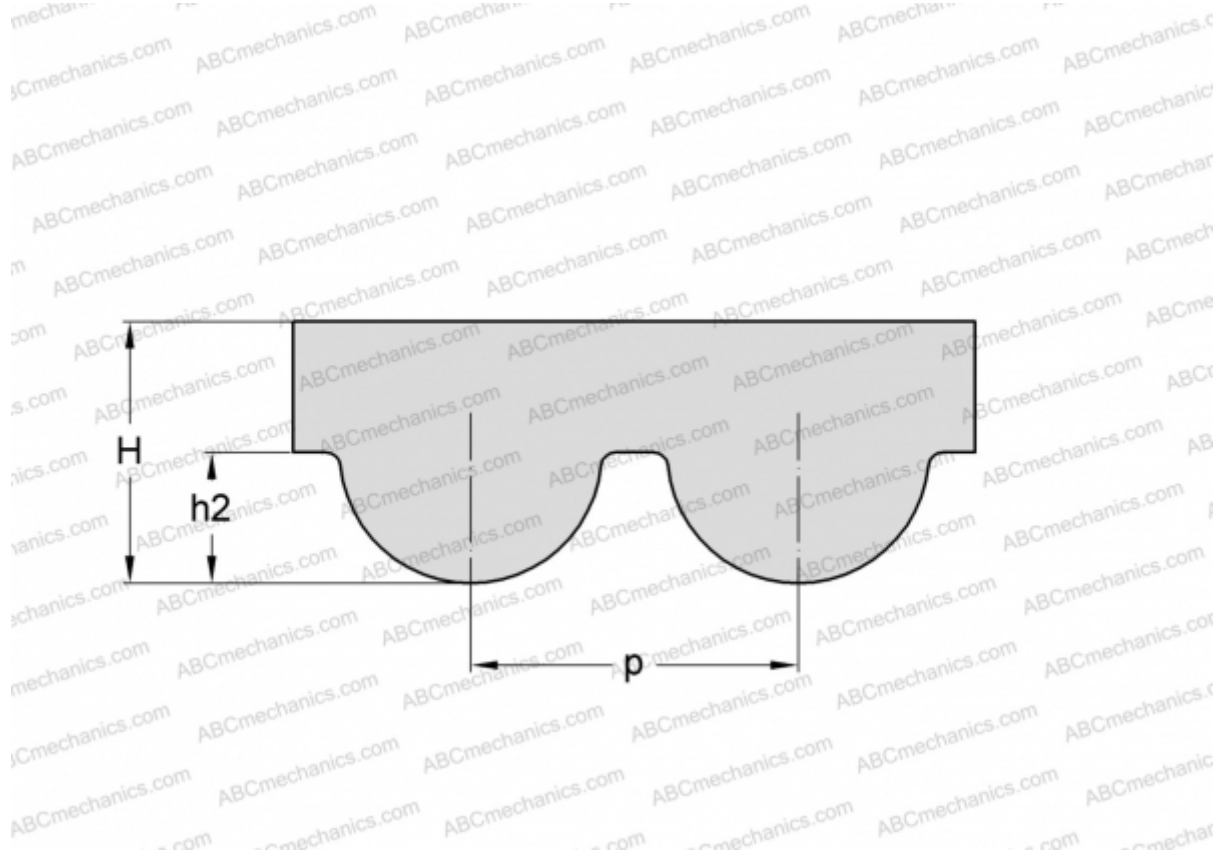


## PHG 1536-8M-30 SKF

HiTD belt

TYPE: Classical timing belts, Oneway, HiTD, Section 8M (SKF)



### Technical specification

#### DIMENSIONS, MM

Pitch teeth, p	8,000
Estimated length	1536,000
Width, W	30,000
Height, H	5,600
h2	3,880
Number of teeth	192

#### MANUFACTURER

[SKF](#)