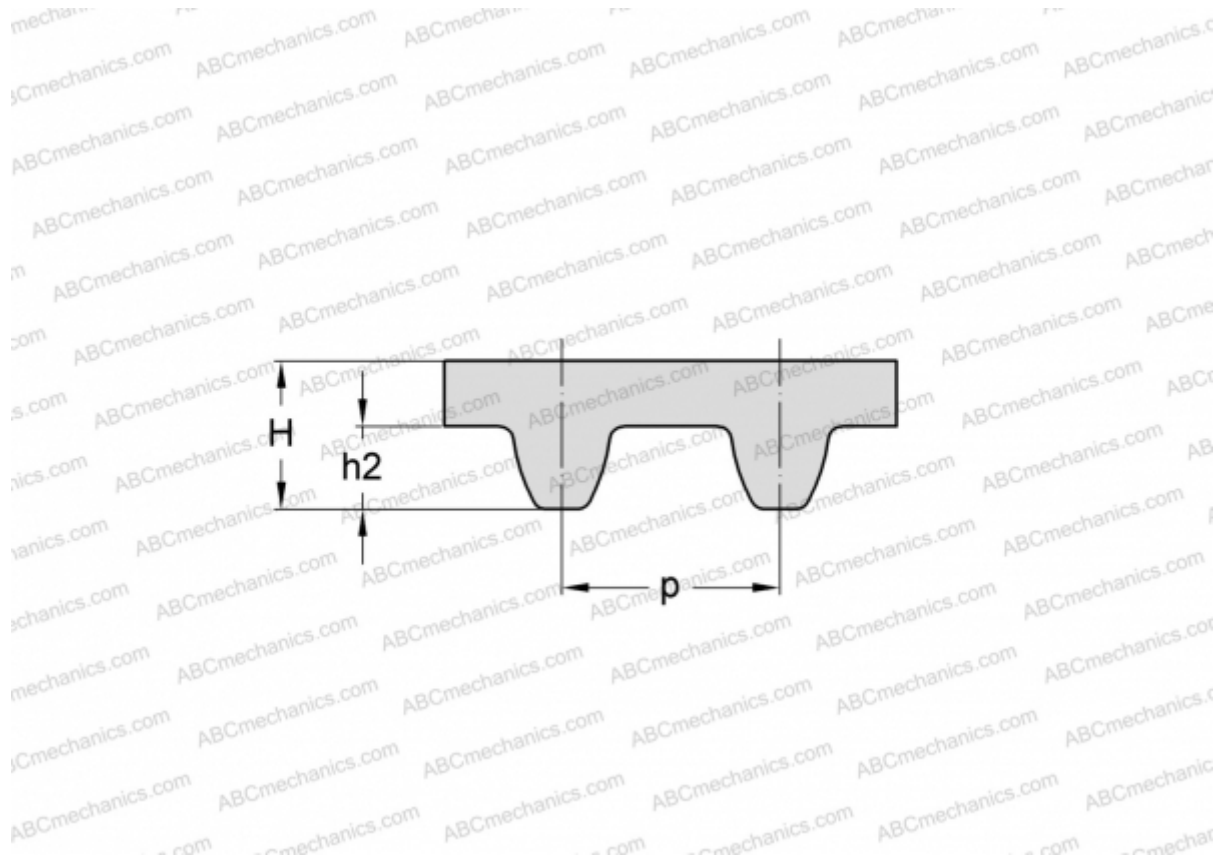


## PHG S3M-219-6 SKF

HiTD belt

TYPE: Classical timing belts, Oneway, Super Torque, Section S3M (SKF)



### Technical specification

#### DIMENSIONS, MM

Pitch teeth, $p$	3,000
Estimated length	219,000
Width, $W$	6,000
Height, $H$	2,200
$h_2$	1,140
Number of teeth	73

**MANUFACTURER** [SKF](#)