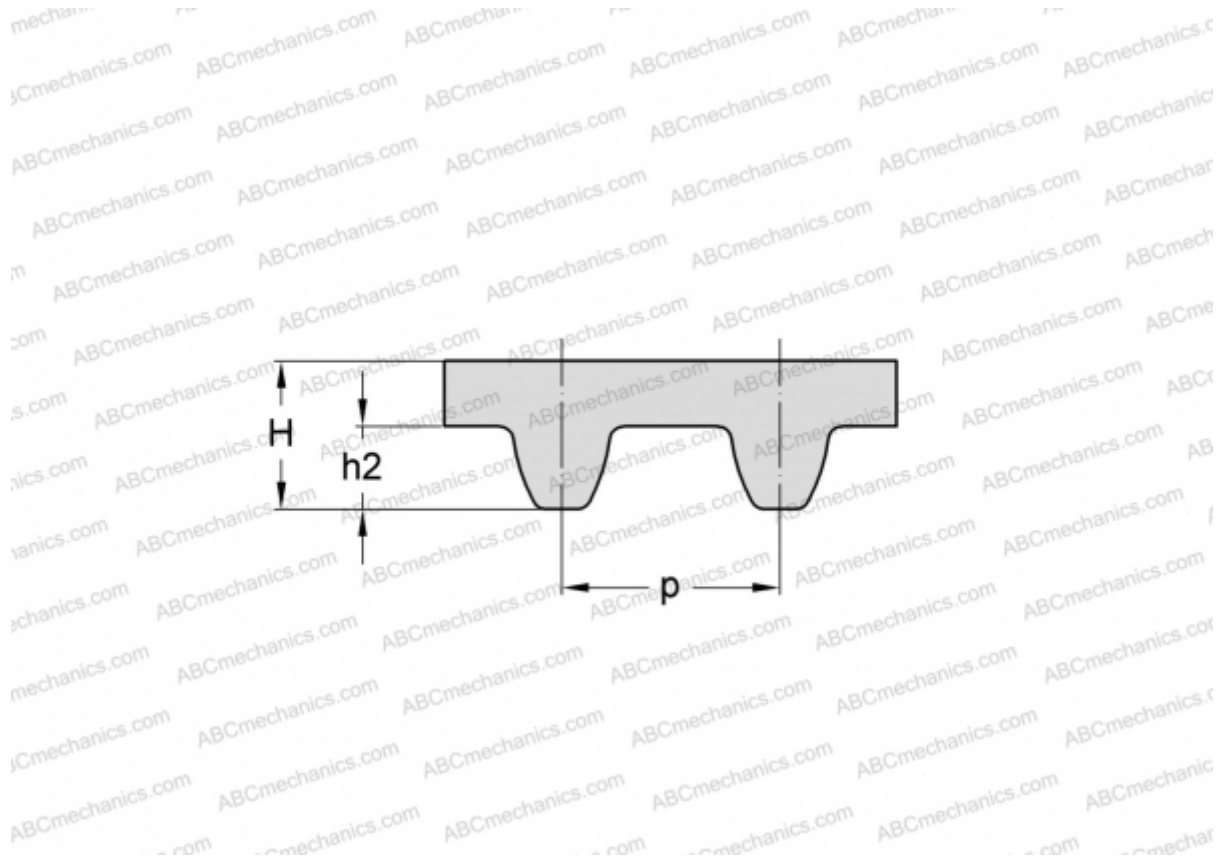


## PHG S3M-573-9 SKF

HiTD belt

TYPE: Classical timing belts, Oneway, Super Torque, Section S3M (SKF)



### Technical specification

#### DIMENSIONS, MM

|                  |         |
|------------------|---------|
| Pitch teeth, $p$ | 3,000   |
| Estimated length | 573,000 |
| Width, $W$       | 9,000   |
| Height, $H$      | 2,200   |
| $h2$             | 1,140   |
| Number of teeth  | 191     |

#### MANUFACTURER

[SKF](#)