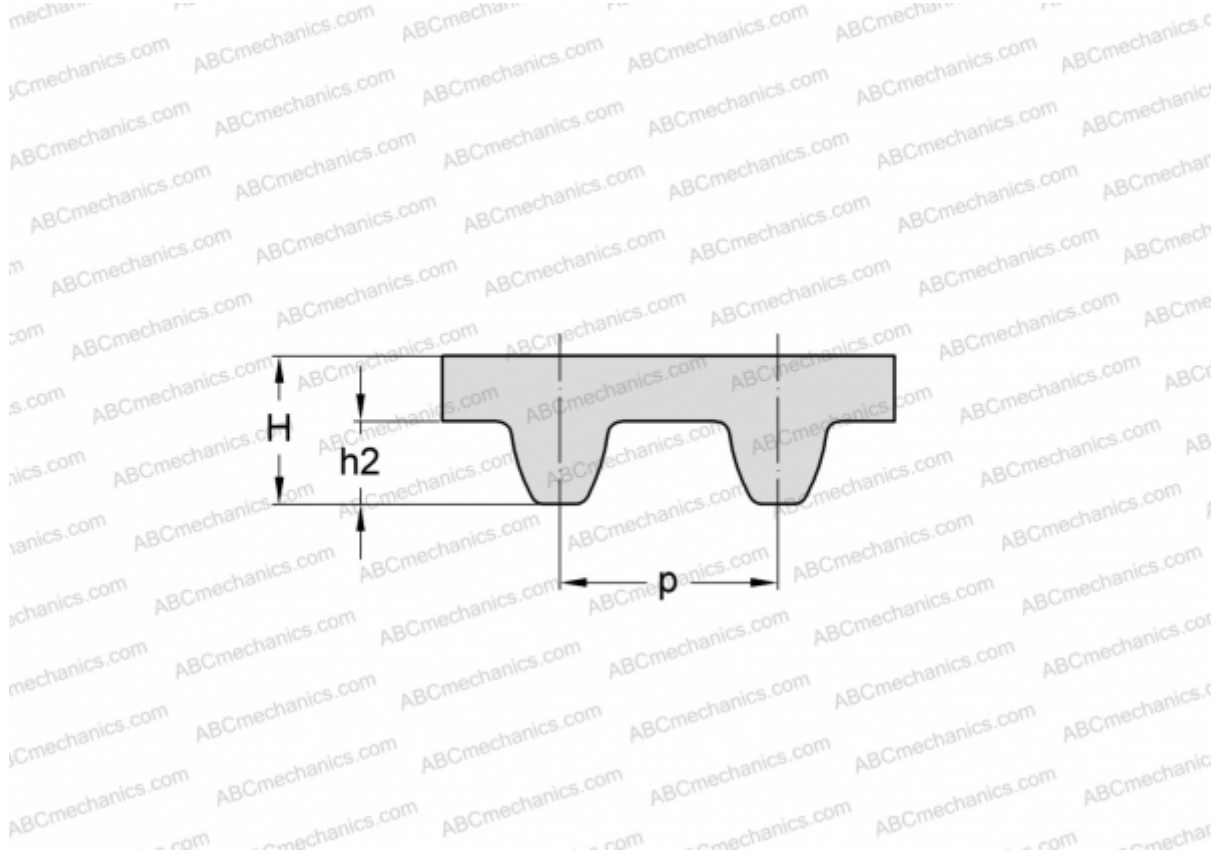


PHG S4.5M-414-9 SKF

HiTD belt

TYPE: Classical timing belts, Oneway, Super Torque, Section S4,5M (SKF)



Technical specification

DIMENSIONS, MM

Pitch teeth, p	4,500
Estimated length	414,000
Width, W	9,000
Height, H	2,810
h_2	1,710
Number of teeth	92

MANUFACTURER

[SKF](#)