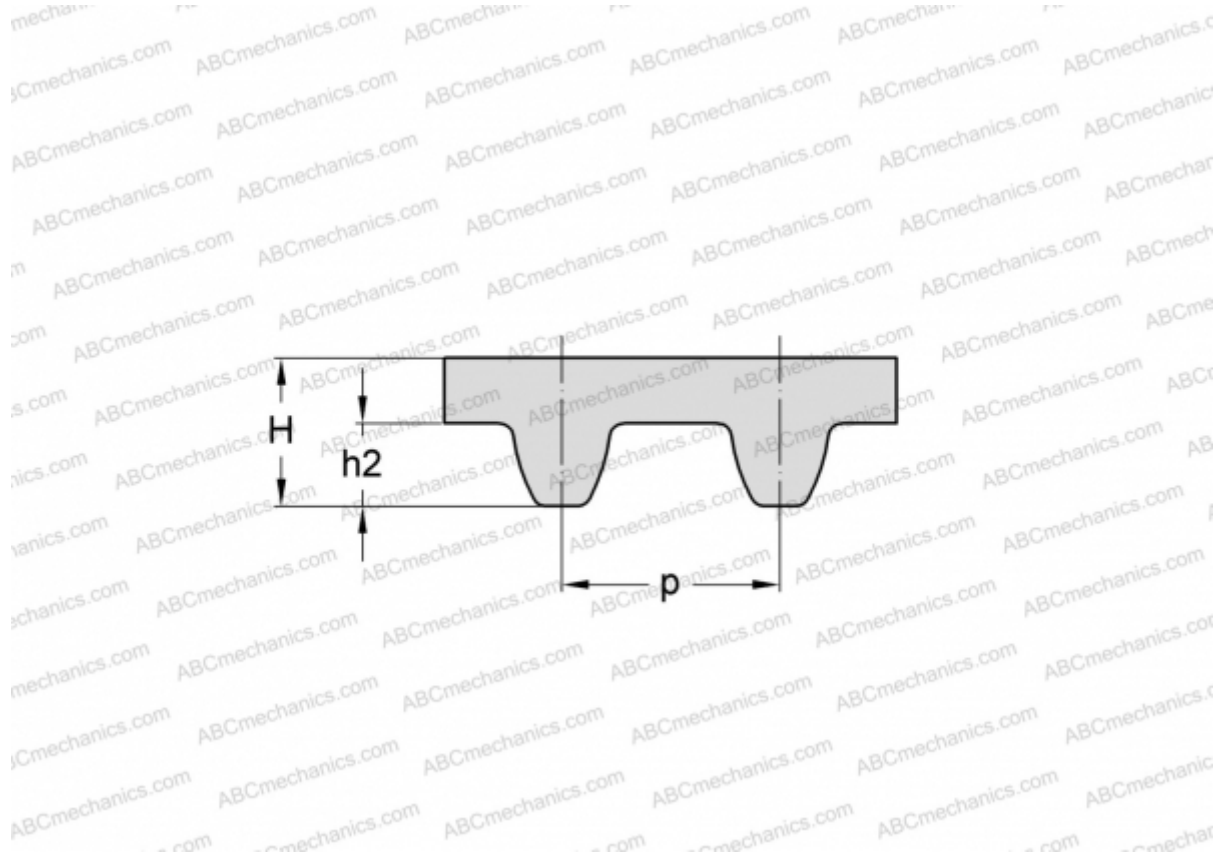


PHG S4.5M-504-9 SKF

HiTD belt

TYPE: Classical timing belts, Oneway, Super Torque, Section S4,5M (SKF)



Technical specification

DIMENSIONS, MM

Pitch teeth, p	4,500
Estimated length	504,000
Width, W	9,000
Height, H	2,810
h2	1,710
Number of teeth	112

MANUFACTURER [SKF](#)