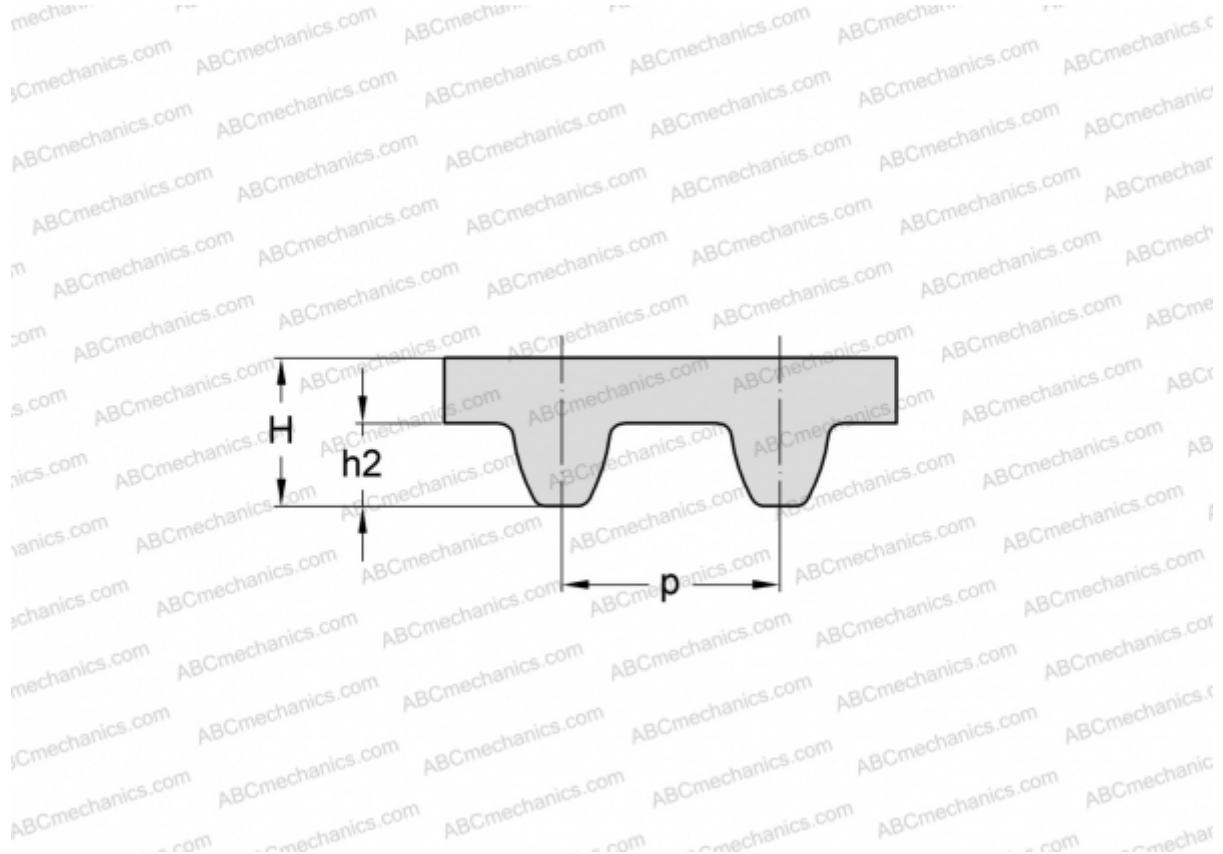


PHG S4.5M-630-15 SKF

HiTD belt

TYPE: Classical timing belts, Oneway, Super Torque, Section S4,5M (SKF)



Technical specification

DIMENSIONS, MM

| | |
|------------------|---------|
| Pitch teeth, p | 4,500 |
| Estimated length | 630,000 |
| Width, W | 15,000 |
| Height, H | 2,810 |
| h2 | 1,710 |
| Number of teeth | 140 |

MANUFACTURER [SKF](#)