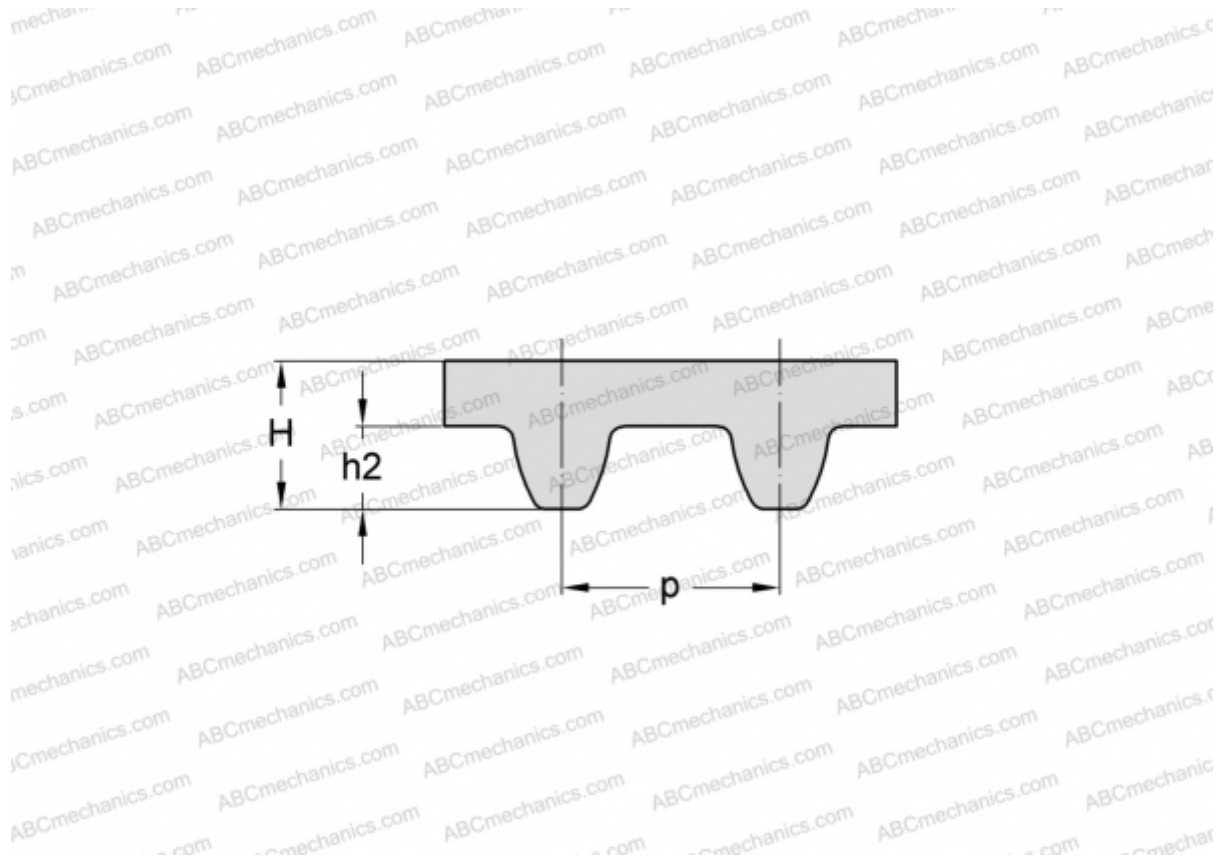


## PHG S8M-1152-50 SKF

HiTD belt

TYPE: Classical timing belts, Oneway, Super Torque, Section S8M (SKF)



### Technical specification

#### DIMENSIONS, MM

Pitch teeth, p	8,000
Estimated length	1152,000
Width, W	50,000
Height, H	5,300
h2	3,050
Number of teeth	144

#### MANUFACTURER

[SKF](#)