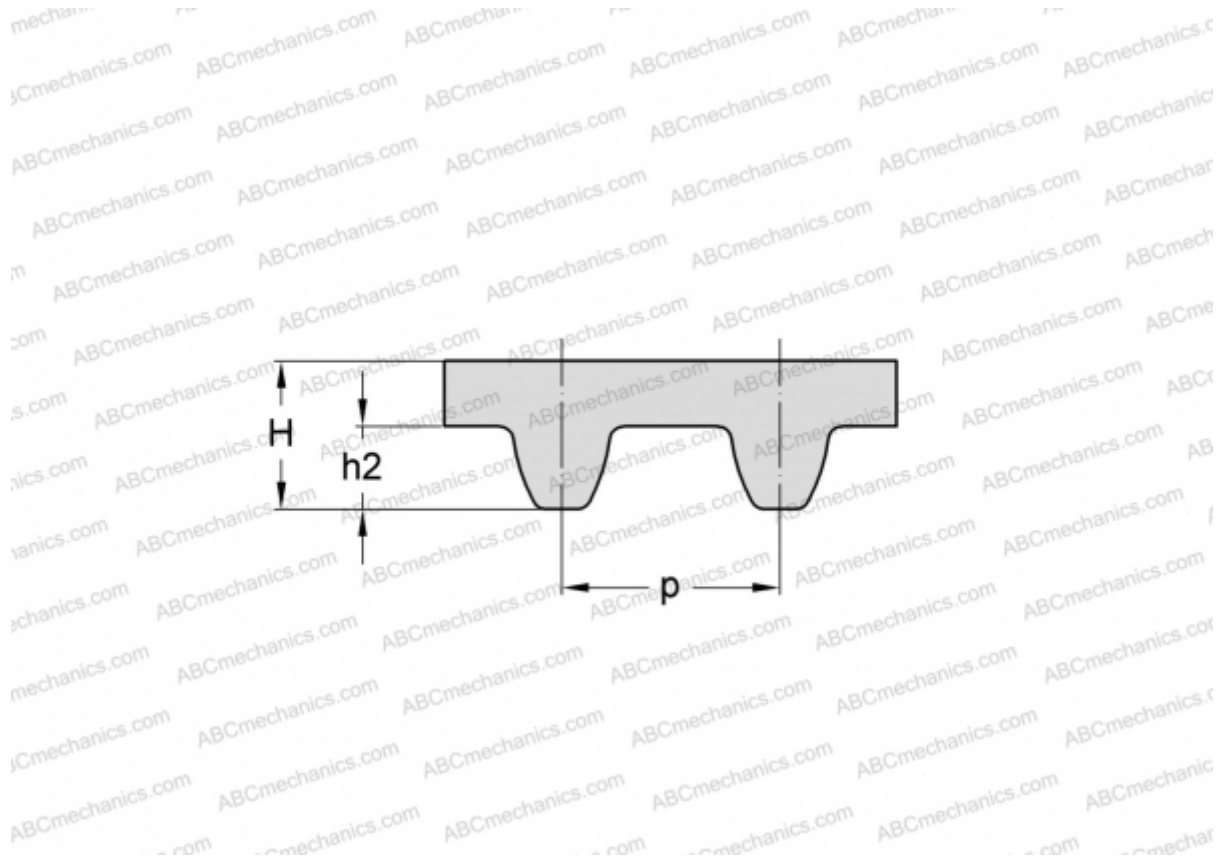


PHG S8M-1248-50 SKF

HiTD belt

TYPE: Classical timing belts, Oneway, Super Torque, Section S8M (SKF)



Technical specification

DIMENSIONS, MM

| | |
|------------------|----------|
| Pitch teeth, p | 8,000 |
| Estimated length | 1248,000 |
| Width, W | 50,000 |
| Height, H | 5,300 |
| h2 | 3,050 |
| Number of teeth | 156 |

MANUFACTURER [SKF](#)