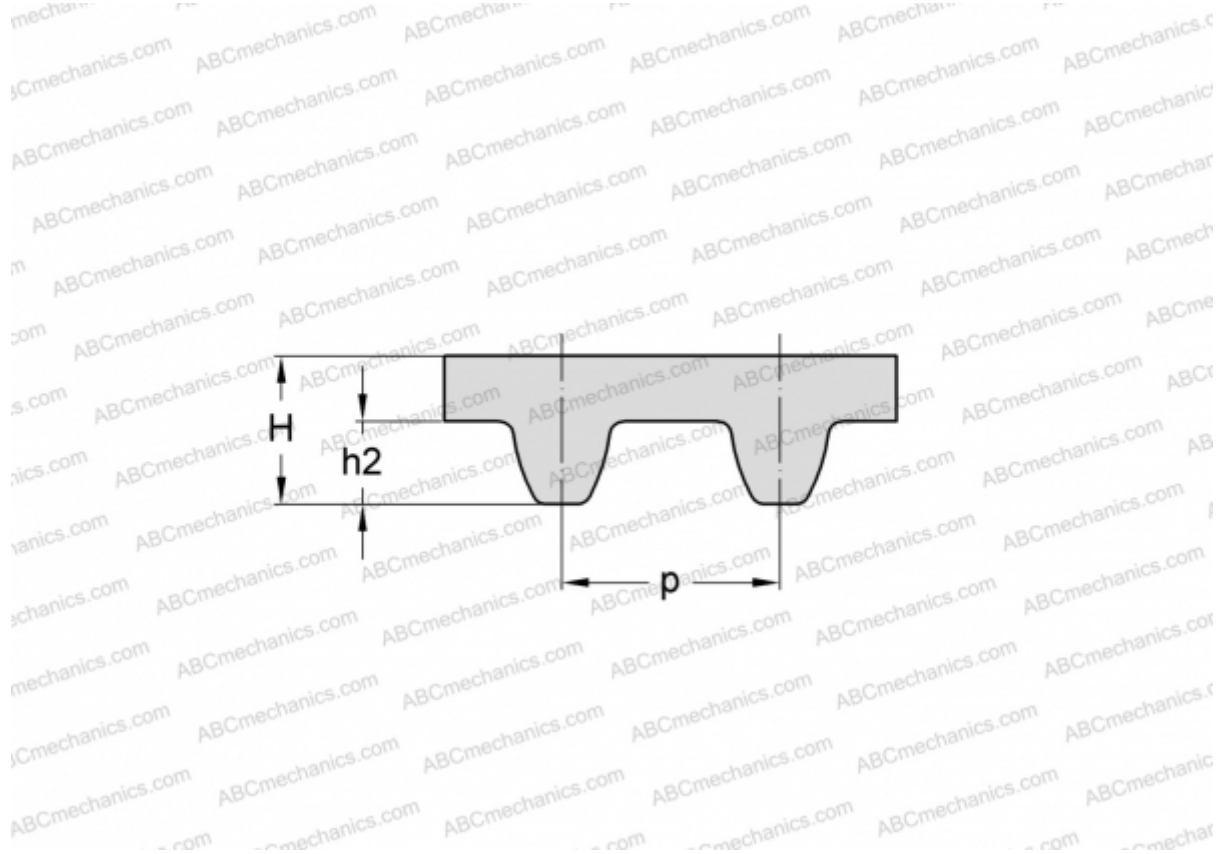


## PHG S14M-2590-40 SKF

HiTD belt

TYPE: Classical timing belts, Oneway, Super Torque, Section S14M (SKF)



### Technical specification

#### DIMENSIONS, MM

|                  |          |
|------------------|----------|
| Pitch teeth, $p$ | 14,000   |
| Estimated length | 2590,000 |
| Width, $W$       | 40,000   |
| Height, $H$      | 10,200   |
| $h2$             | 5,300    |
| Number of teeth  | 185      |

#### MANUFACTURER

[SKF](#)