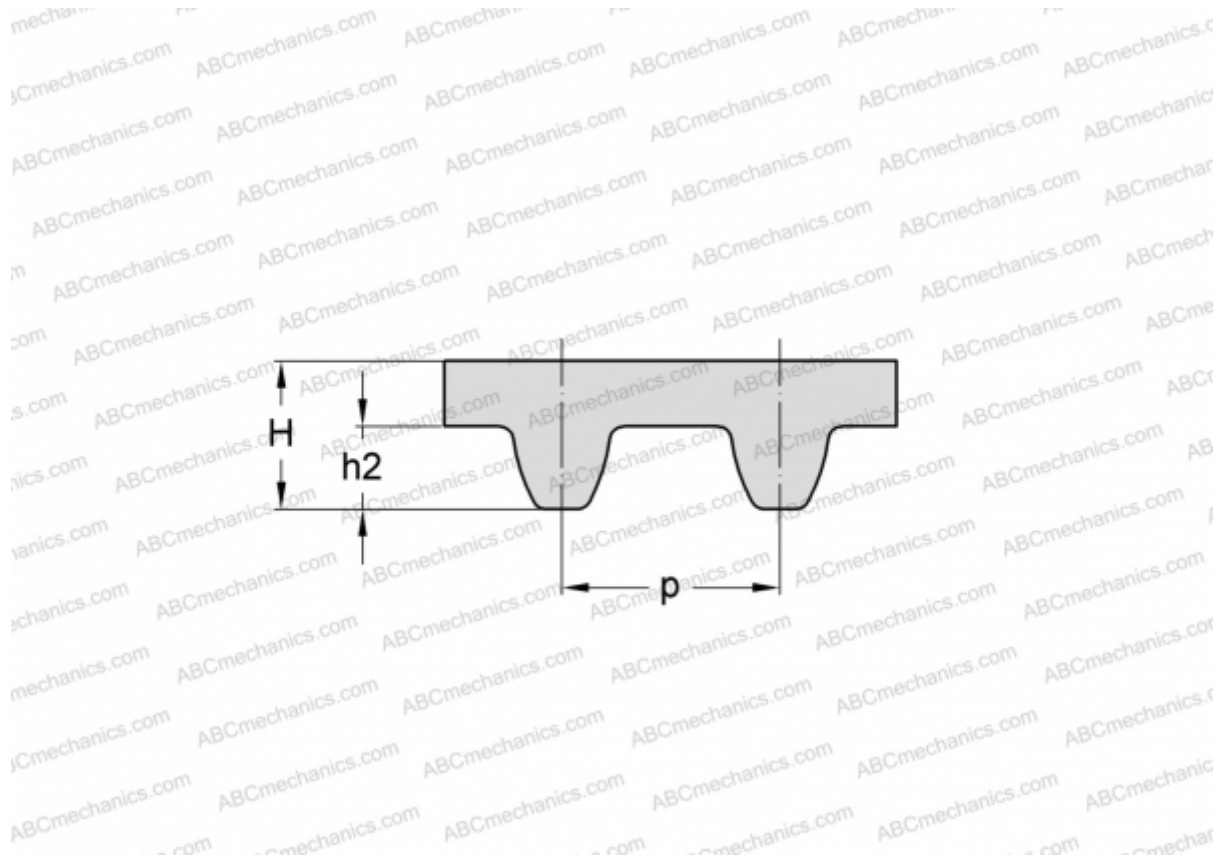


PHG S14M-4508-55 SKF

HiTD belt

TYPE: Classical timing belts, Oneway, Super Torque, Section S14M (SKF)



Technical specification

DIMENSIONS, MM

Pitch teeth, p	14,000
Estimated length	4508,000
Width, W	55,000
Height, H	10,200
h2	5,300
Number of teeth	322

MANUFACTURER [SKF](#)