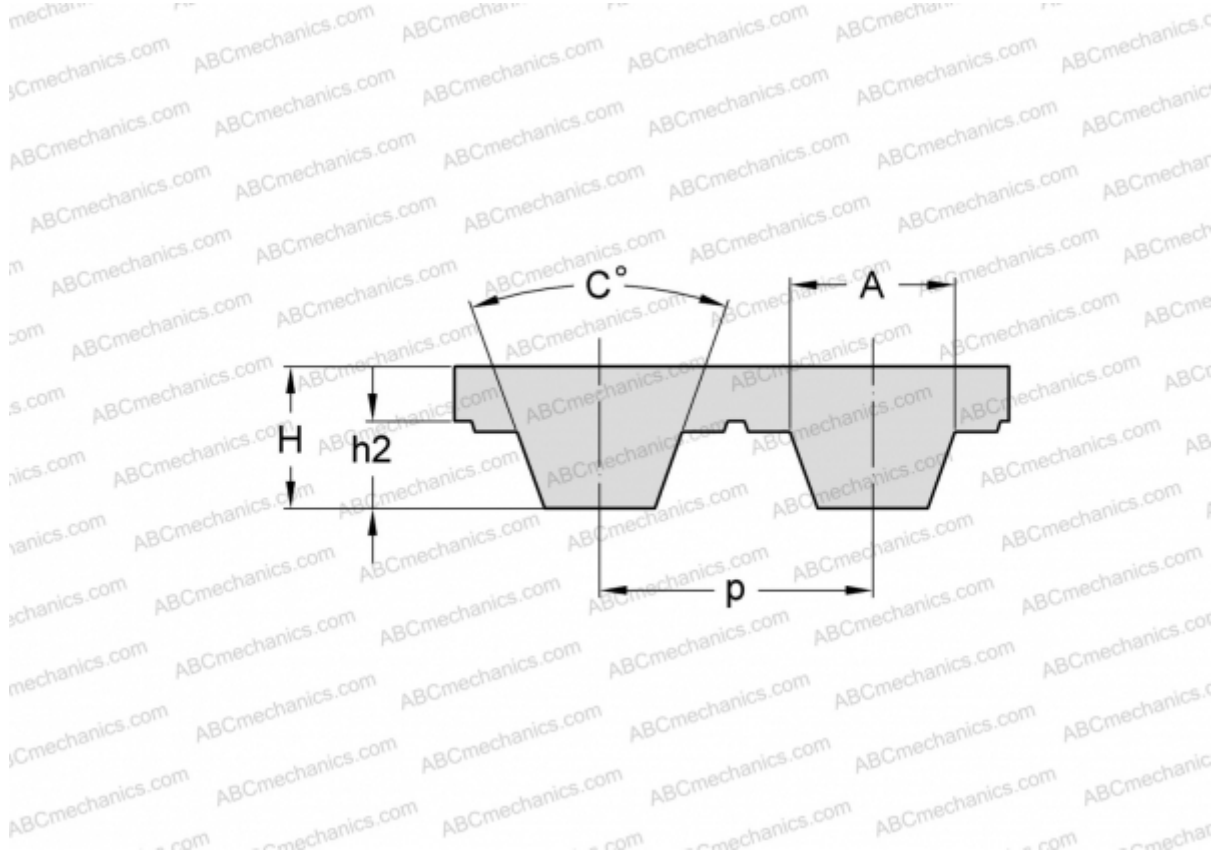


## PHG T2.5-787.5-12 SKF

Metric timing belt, T section

TYPE: Classical timing belts, Oneway, Metric, Section T2.5 (SKF)



### Technical specification

#### DIMENSIONS, MM

Pitch teeth, $p$	2,500
Estimated length	787,500
Width, $W$	12,000
Height, $H$	1,300
$C$	40,000
$h_2$	0,700
$A$	1,500
Number of teeth	315

**MANUFACTURER** [SKF](#)