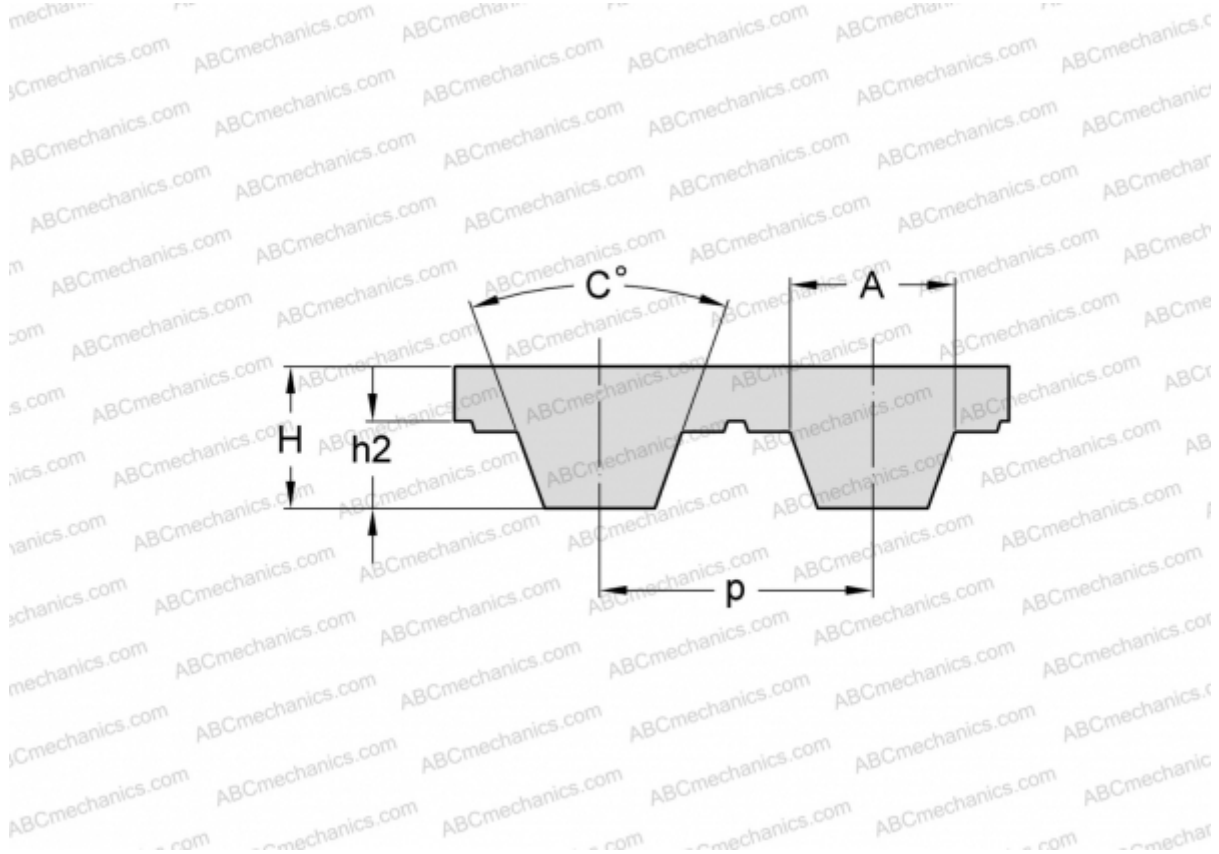


PHG T2.5-1127.5-10 SKF

Metric timing belt, T section

TYPE: Classical timing belts, Oneway, Metric, Section T2.5 (SKF)



Technical specification

DIMENSIONS, MM

Pitch teeth, p	2,500
Estimated length	1127,500
Width, W	10,000
Height, H	1,300
C	40,000
h_2	0,700
A	1,500
Number of teeth	451

MANUFACTURER [SKF](#)