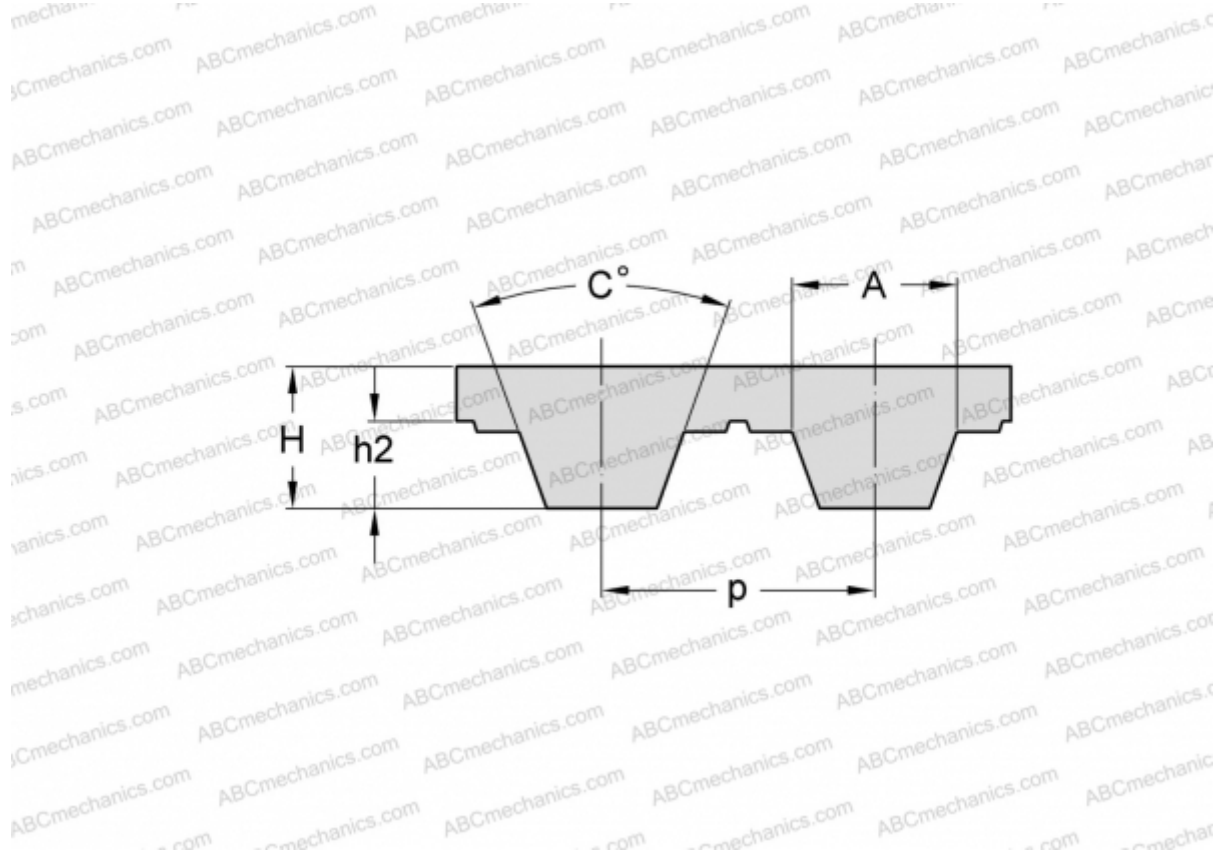


## PHG T5-725-8 SKF

Metric timing belt, T section

TYPE: Classical timing belts, Oneway, Metric, Section T5 (SKF)



### Technical specification

#### DIMENSIONS, MM

|                  |         |
|------------------|---------|
| Pitch teeth, $p$ | 5,000   |
| Estimated length | 725,000 |
| Height, $H$      | 2,200   |
| $C$              | 40,000  |
| $h_2$            | 1,200   |
| $A$              | 2,650   |
| Number of teeth  | 145     |

**MANUFACTURER** [SKF](#)