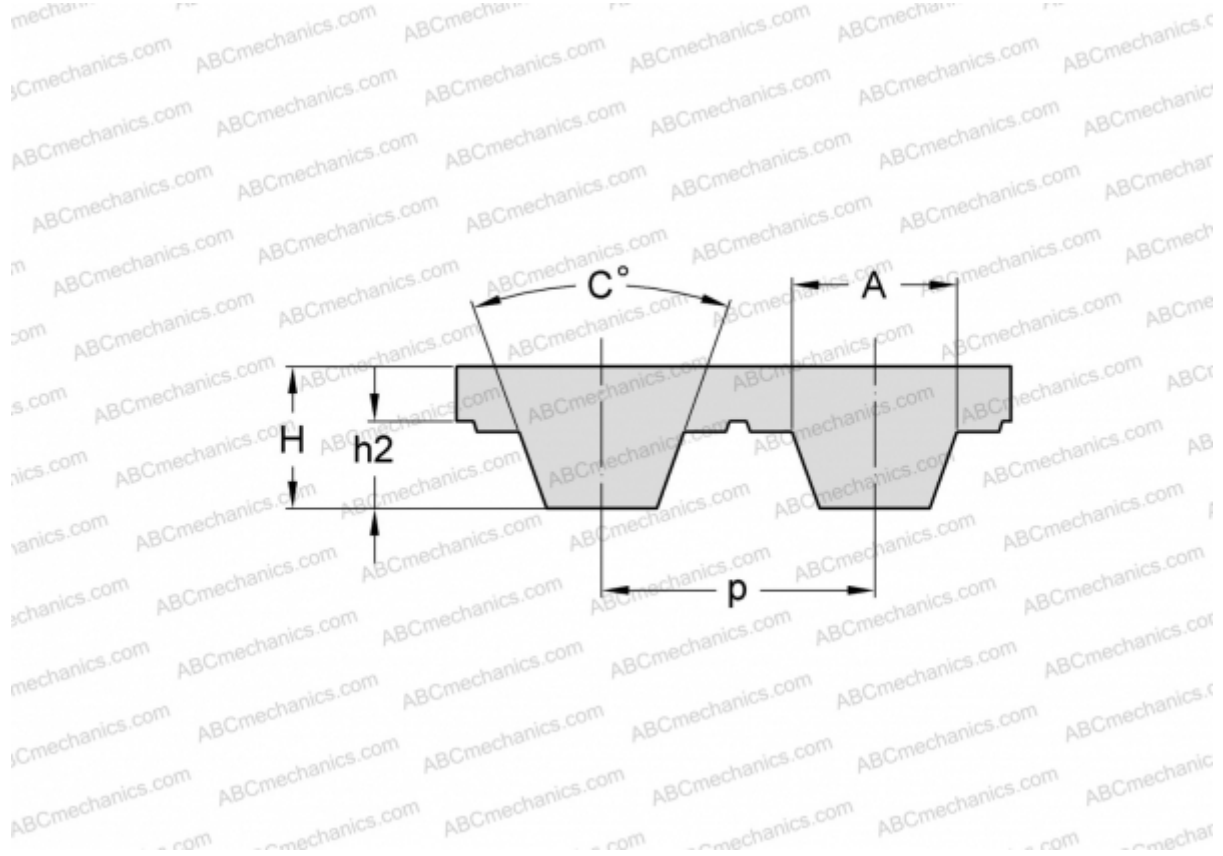


## PHG T10-800-10 SKF

Metric timing belt, T section

TYPE: Classical timing belts, Oneway, Metric, Section T10 (SKF)



### Technical specification

#### DIMENSIONS, MM

|                  |         |
|------------------|---------|
| Pitch teeth, p   | 10,000  |
| Estimated length | 800,000 |
| Height, H        | 4,500   |
| C                | 40,000  |
| h2               | 2,500   |
| A                | 5,300   |
| Number of teeth  | 80      |

**MANUFACTURER** [SKF](#)