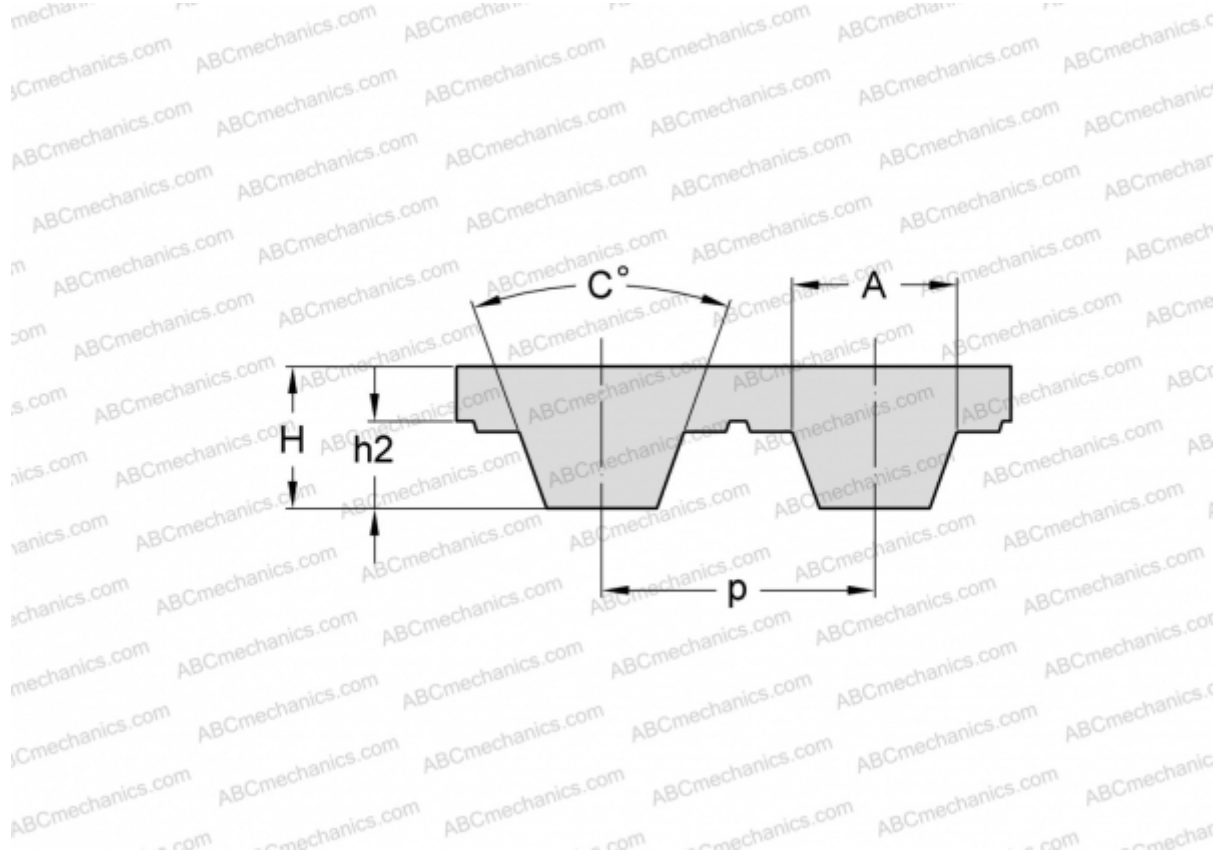


PHG T10-890-50 SKF

Metric timing belt, T section

TYPE: Classical timing belts, Oneway, Metric, Section T10 (SKF)



Technical specification

DIMENSIONS, MM

| | |
|------------------|---------|
| Pitch teeth, p | 10,000 |
| Estimated length | 890,000 |
| Height, H | 4,500 |
| C | 40,000 |
| h2 | 2,500 |
| A | 5,300 |
| Number of teeth | 89 |

MANUFACTURER

[SKF](#)