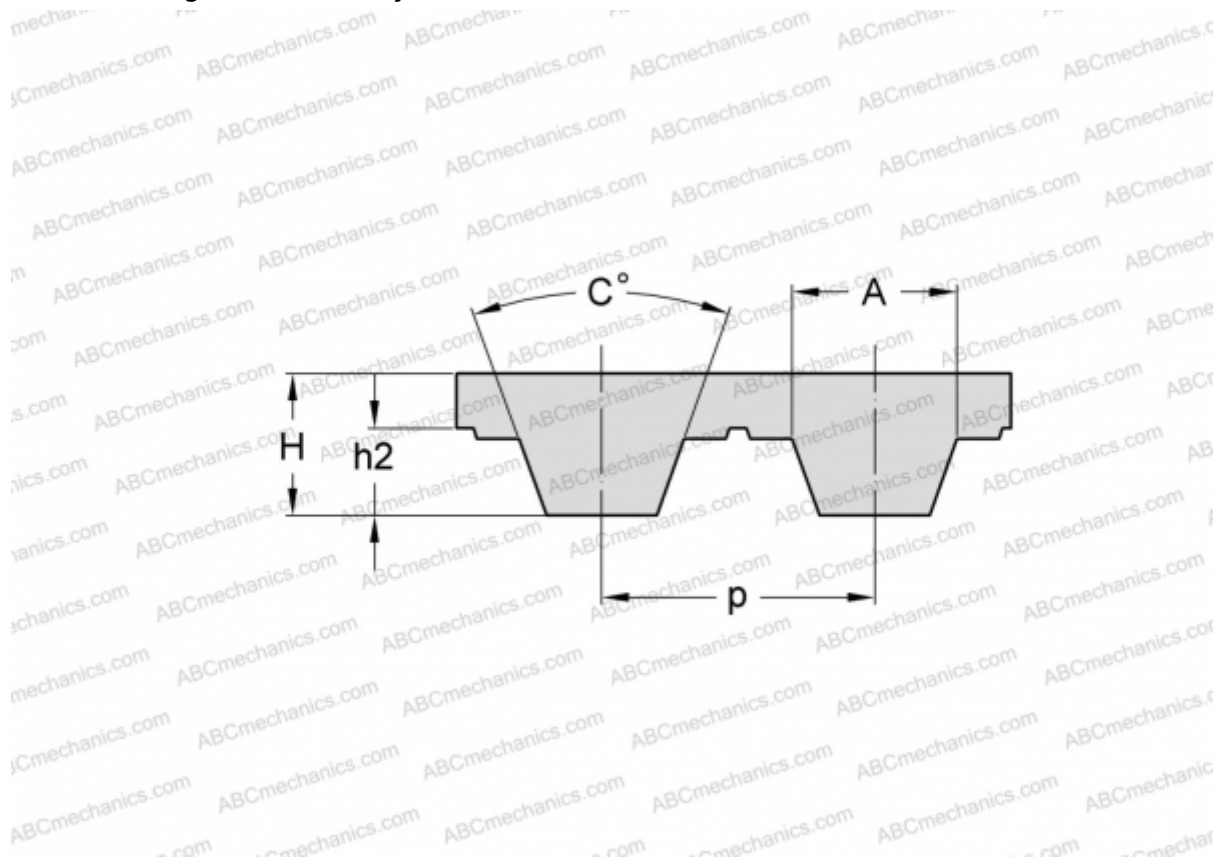


## PHG T10-1280-10 SKF

Metric timing belt, T section

TYPE: Classical timing belts, Oneway, Metric, Section T10 (SKF)



### Technical specification

#### DIMENSIONS, MM

Pitch teeth, p	10,000
Estimated length	1280,000
Height, H	4,500
C	40,000
h2	2,500
A	5,300
Number of teeth	128

#### MANUFACTURER

[SKF](#)