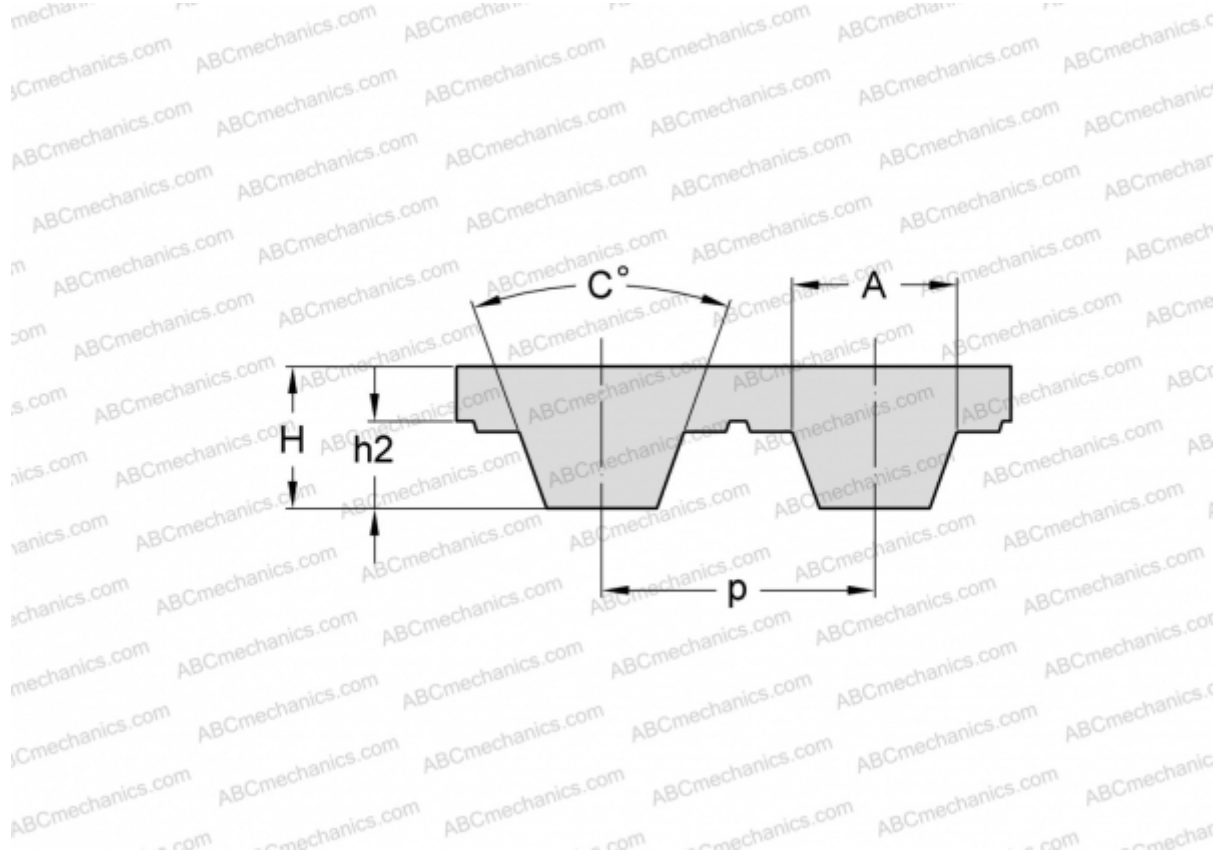


## PHG T10-1750-25 SKF

Metric timing belt, T section

TYPE: Classical timing belts, Oneway, Metric, Section T10 (SKF)



### Technical specification

#### DIMENSIONS, MM

Pitch teeth, p	10,000
Estimated length	1750,000
Height, H	4,500
C	40,000
h2	2,500
A	5,300
Number of teeth	175

**MANUFACTURER** [SKF](#)