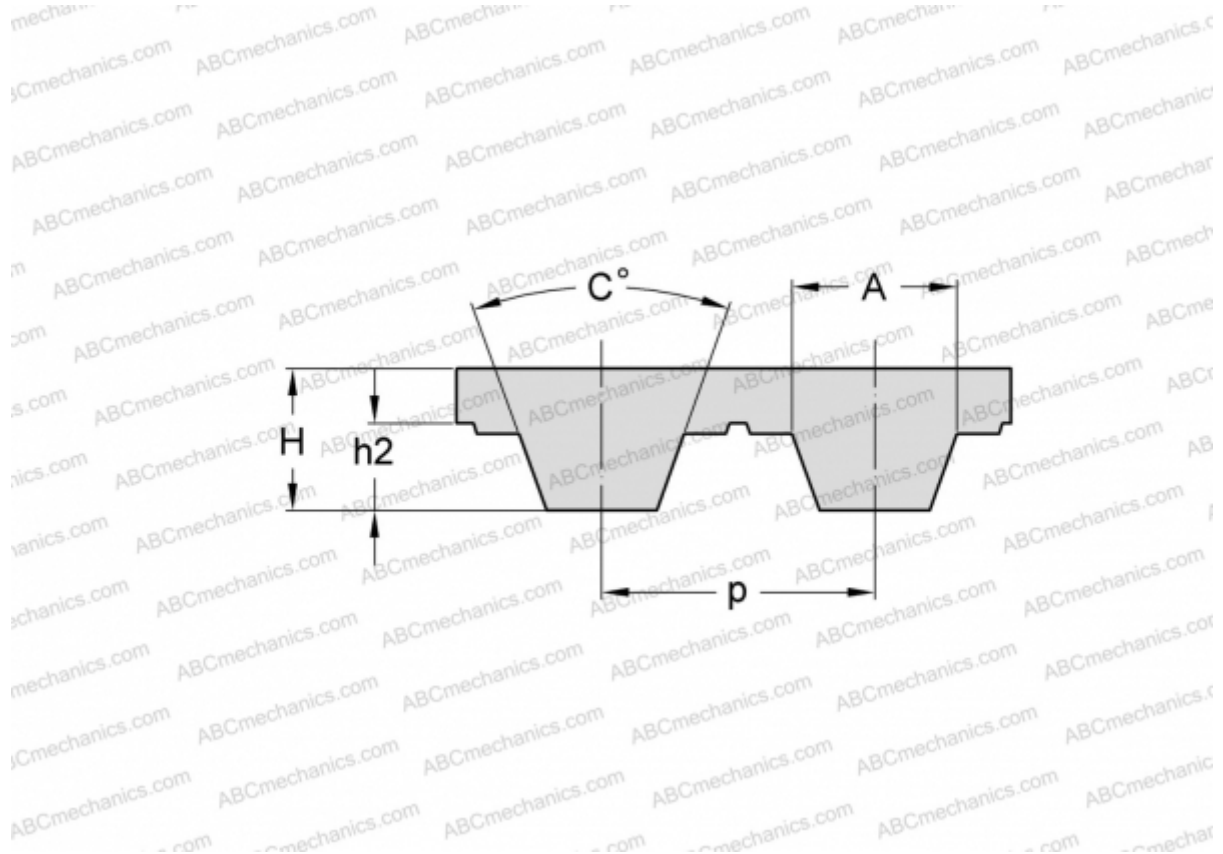


## PHG T20-1600-115 SKF

Metric timing belt, T section

TYPE: Classical timing belts, Oneway, Metric, Section T20 (SKF)



### Technical specification

#### DIMENSIONS, MM

Pitch teeth, p	20,000
Estimated length	1600,000
Width, W	115,000
Height, H	8,000
C	40,000
h2	5,000
A	10,150
Number of teeth	80

**MANUFACTURER** [SKF](#)