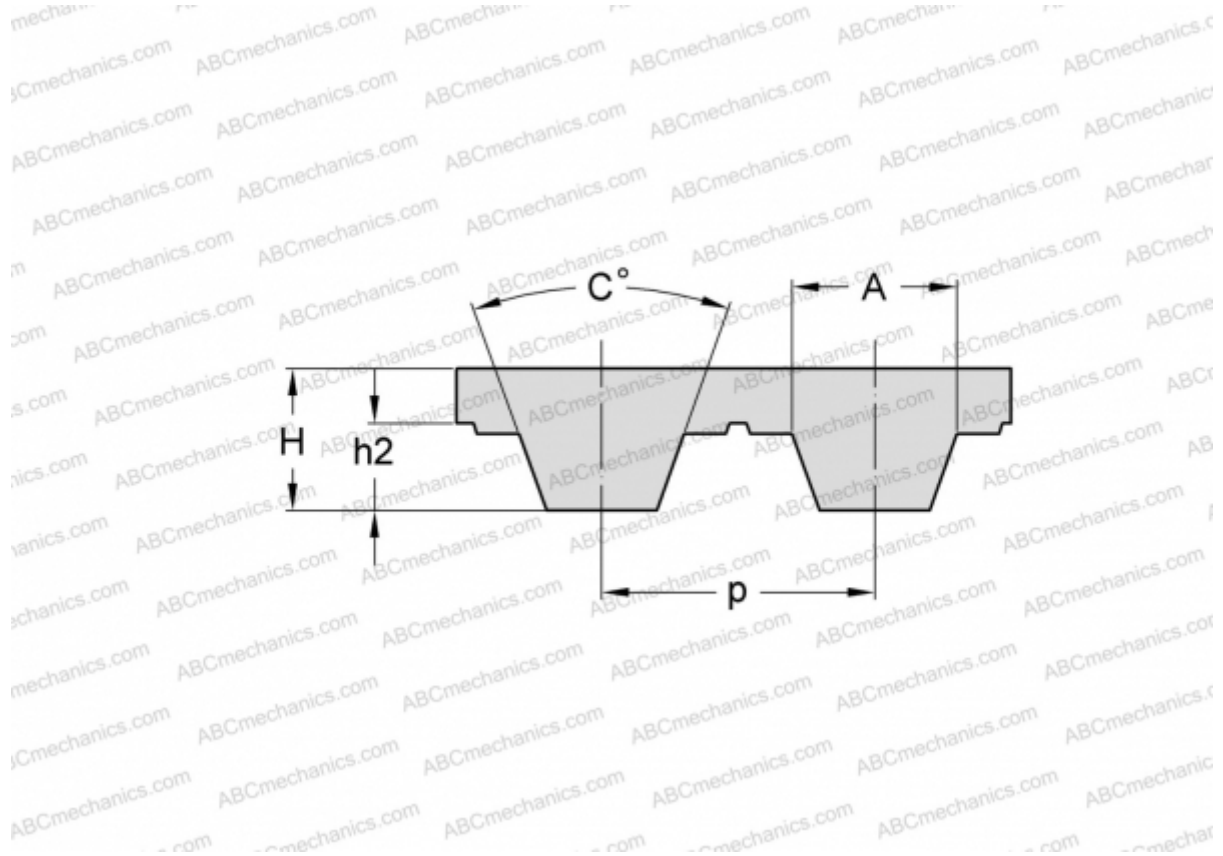


## PHG T20-2600-230 SKF

Metric timing belt, T section

TYPE: Classical timing belts, Oneway, Metric, Section T20 (SKF)



### Technical specification

#### DIMENSIONS, MM

Pitch teeth, $p$	20,000
Estimated length	2600,000
Width, $W$	230,000
Height, $H$	8,000
$C$	40,000
$h_2$	5,000
$A$	10,150
Number of teeth	130

#### MANUFACTURER

[SKF](#)