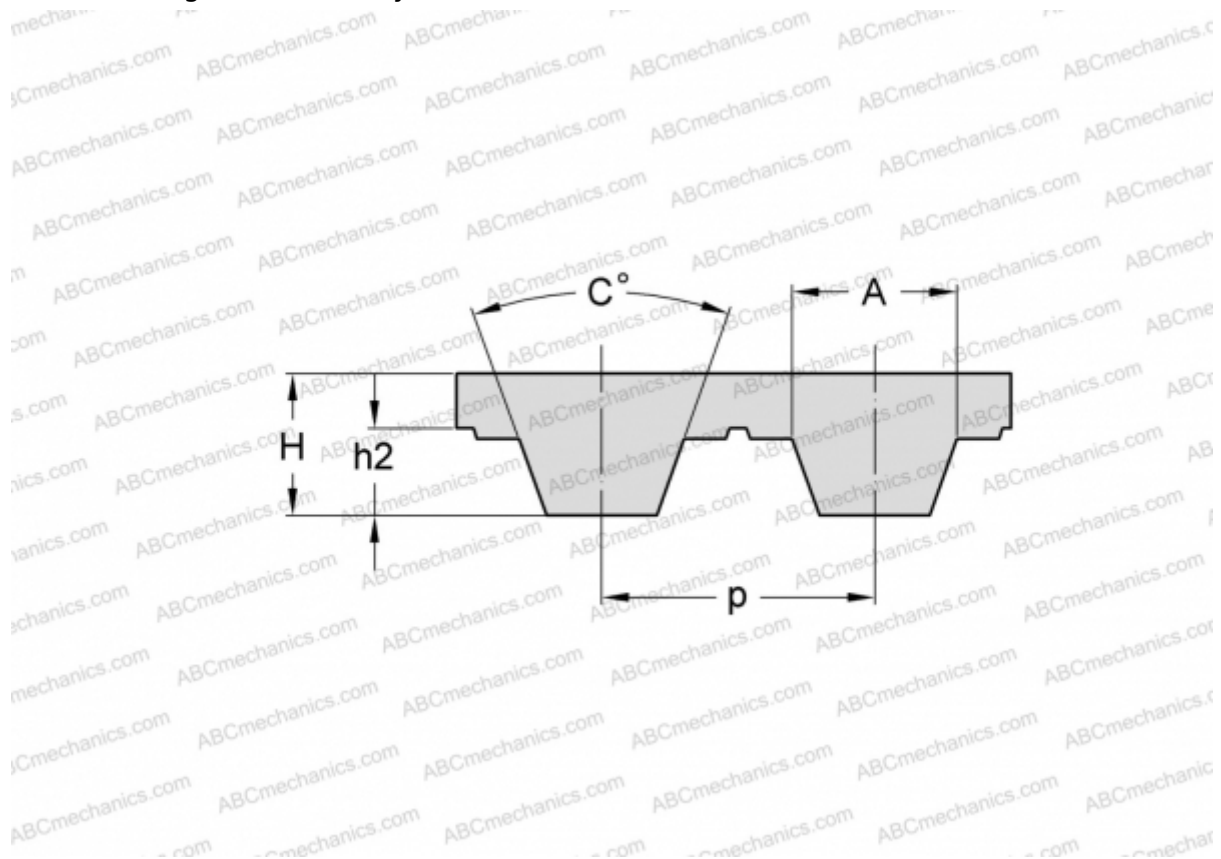


PHG AT5-300-6 SKF

Metric timing belt, T section

TYPE: Classical timing belts, Oneway, Metric, Section AT5 (SKF)



Technical specification

DIMENSIONS, MM

| | |
|------------------|---------|
| Pitch teeth, p | 5,000 |
| Estimated length | 300,000 |
| Width, W | 6,000 |
| Height, H | 2,700 |
| C | 50,000 |
| h_2 | 1,200 |
| A | 3,620 |
| Number of teeth | 60 |

MANUFACTURER

[SKF](#)