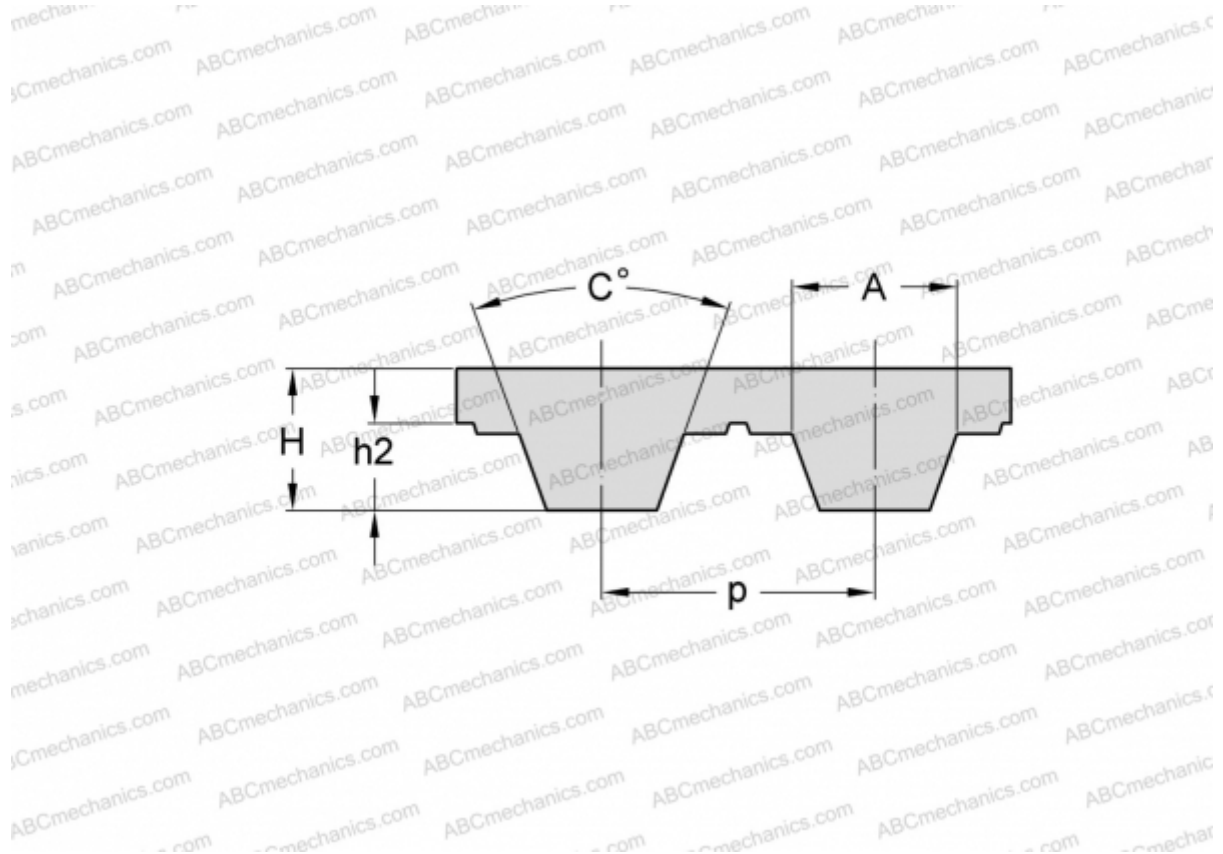


PHG AT10-2400-32 SKF

Metric timing belt, T section

TYPE: Classical timing belts, Oneway, Metric, Section AT10 (SKF)



Technical specification

DIMENSIONS, MM

| | |
|------------------|----------|
| Pitch teeth, p | 10,000 |
| Estimated length | 2400,000 |
| Width, W | 32,000 |
| Height, H | 5,000 |
| C | 50,000 |
| h_2 | 2,500 |
| A | 7,300 |
| Number of teeth | 240 |

MANUFACTURER

[SKF](#)