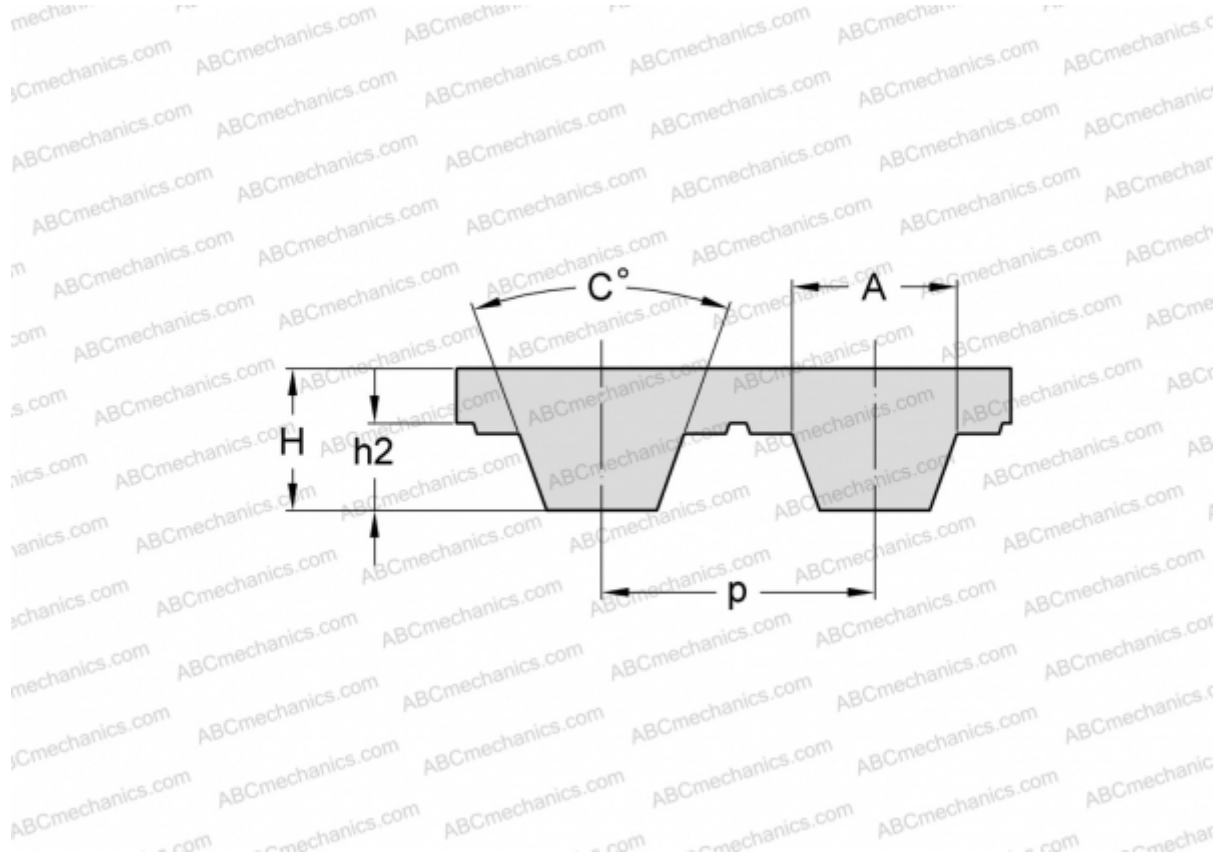


PHG AT20-1000-115 SKF

Metric timing belt, T section

TYPE: Classical timing belts, Oneway, Metric, Section AT20 (SKF)



Technical specification

DIMENSIONS, MM

Pitch teeth, p	20,000
Estimated length	1000,000
Width, W	115,000
Height, H	8,000
C	50,000
h2	5,000
A	12,700
Number of teeth	50

MANUFACTURER [SKF](#)