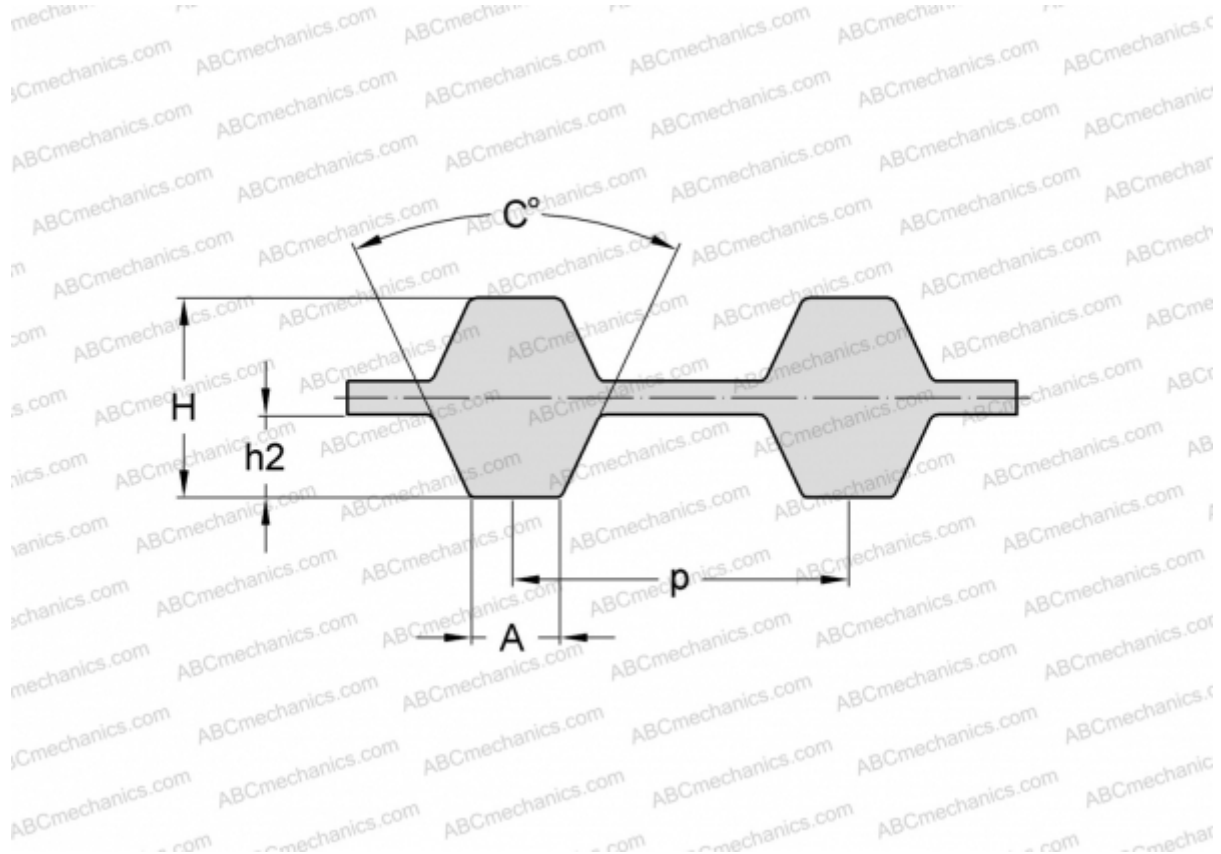


## PHG D-236-XL-031 SKF

Double-sided classical timing belt

TYPE: Classical timing belts, Twoway, Classical, Section D-XL (SKF)



### Technical specification

#### DIMENSIONS, MM

|                  |         |
|------------------|---------|
| Pitch teeth, p   | 5,080   |
| Estimated length | 599,440 |
| Width, W         | 7,874   |
| Height, H        | 3,050   |
| C                | 50,000  |
| h2               | 1,270   |
| A                | 2,570   |
| Number of teeth  | 118     |

**MANUFACTURER** [SKF](#)