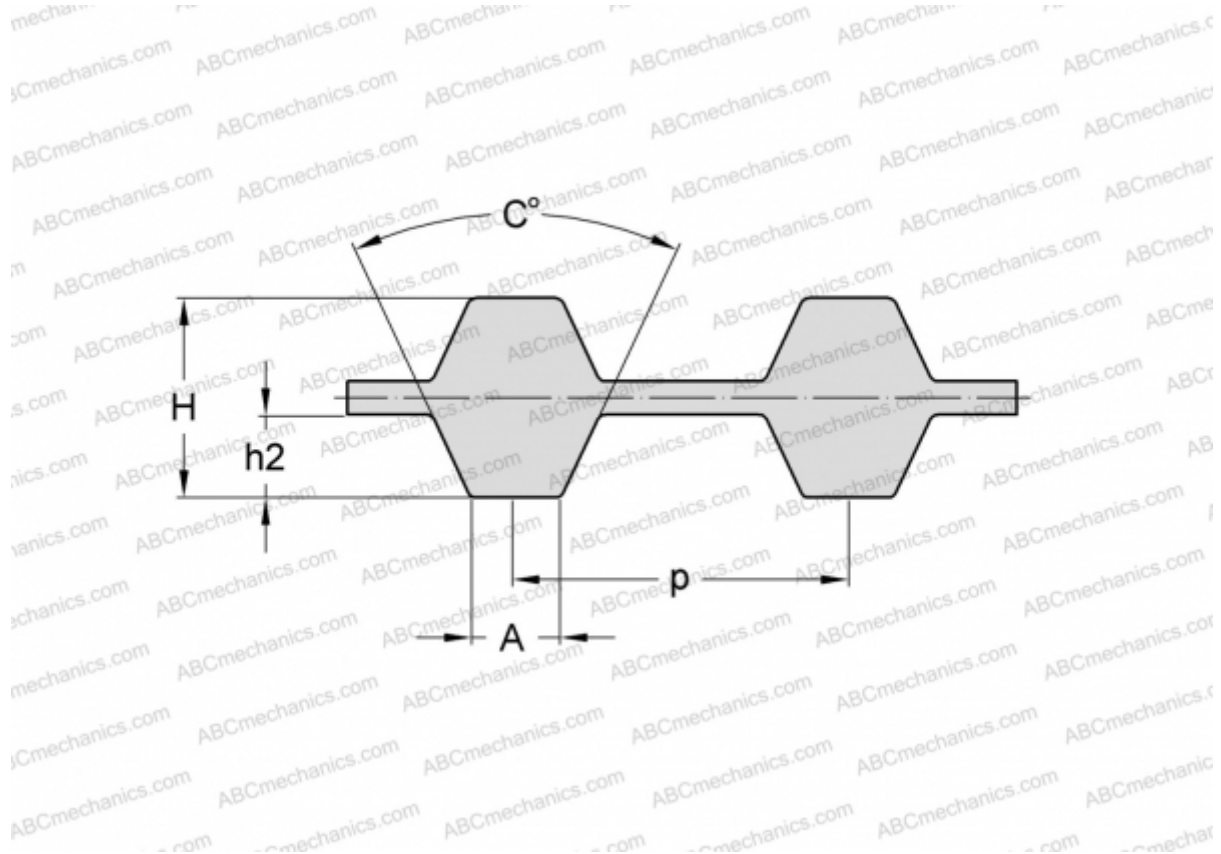


PHG D-390-XL-037 SKF

Double-sided classical timing belt

TYPE: Classical timing belts, Twoway, Classical, Section D-XL (SKF)



Technical specification

DIMENSIONS, MM

| | |
|------------------|---------|
| Pitch teeth, p | 5,080 |
| Estimated length | 990,600 |
| Width, W | 9,398 |
| Height, H | 3,050 |
| C | 50,000 |
| h2 | 1,270 |
| A | 2,570 |
| Number of teeth | 195 |

MANUFACTURER [SKF](#)