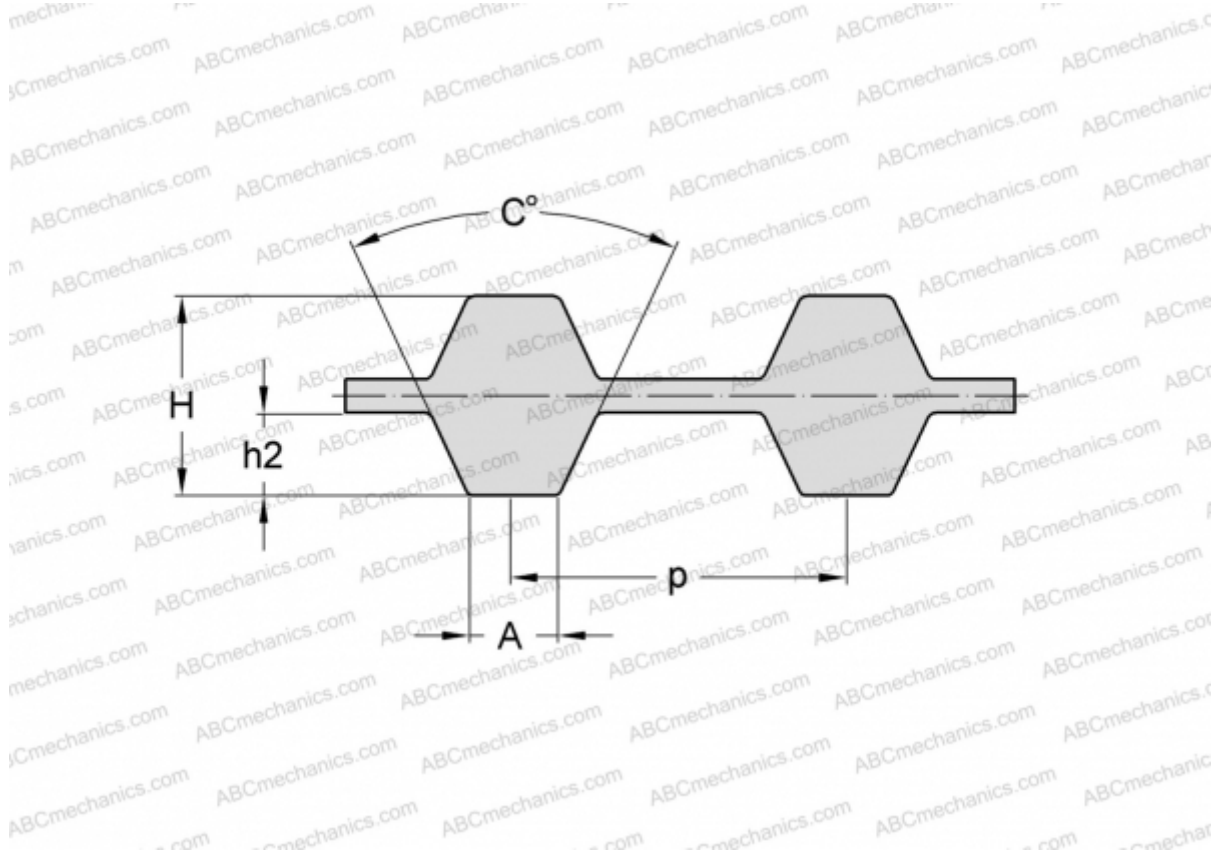


## PHG D-453-L-075 SKF

Double-sided classical timing belt

TYPE: Classical timing belts, Twoway, Classical, Section D-L (SKF)



### Technical specification

#### DIMENSIONS, MM

Pitch teeth, p	9,525
Estimated length	1152,530
Width, W	19,050
Height, H	4,570
C	40,000
h2	1,910
A	4,650
Number of teeth	121

**MANUFACTURER** [SKF](#)