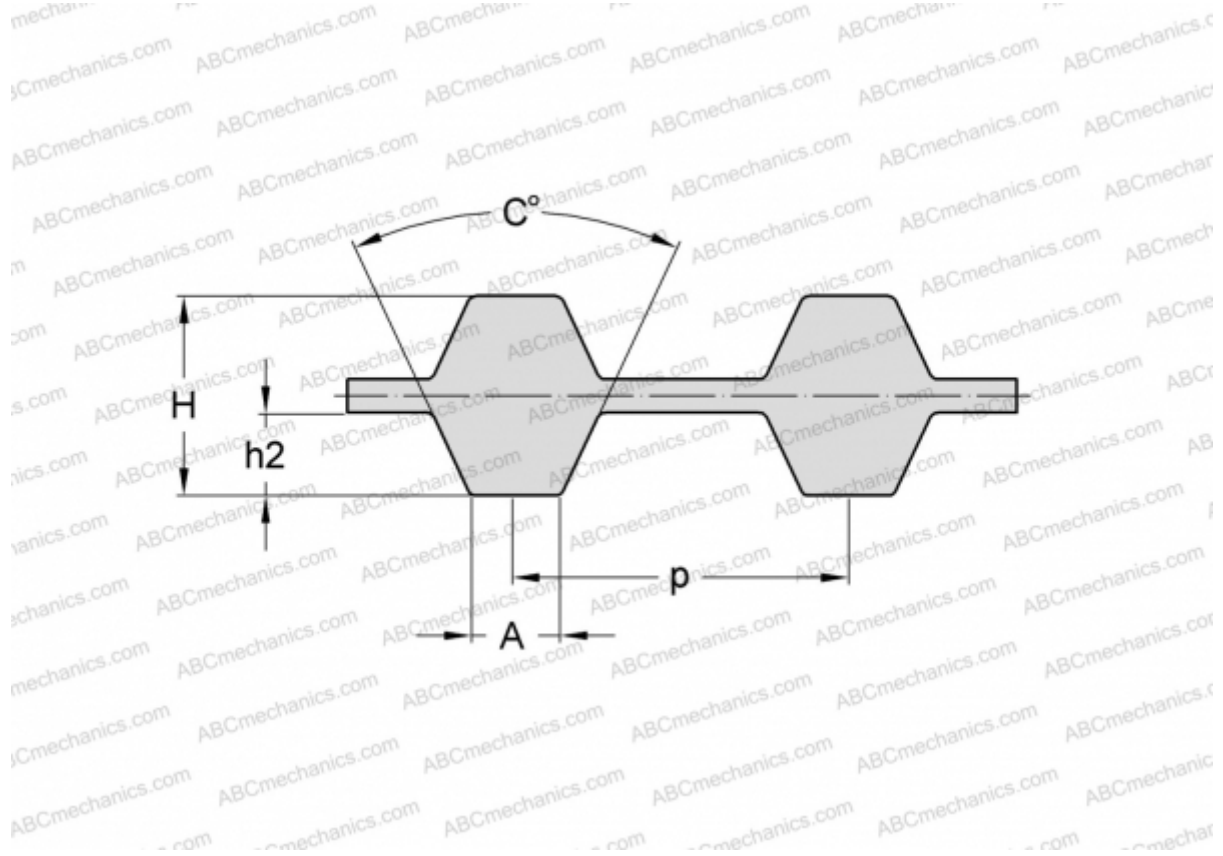


## PHG D-200-H-150 SKF

Double-sided classical timing belt

TYPE: Classical timing belts, Twoway, Classical, Section D-H (SKF)



### Technical specification

#### DIMENSIONS, MM

|                  |         |
|------------------|---------|
| Pitch teeth, p   | 12,700  |
| Estimated length | 508,000 |
| Width, W         | 38,100  |
| Height, H        | 5,950   |
| C                | 40,000  |
| h2               | 2,290   |
| A                | 6,120   |
| Number of teeth  | 40      |

#### MANUFACTURER

[SKF](#)