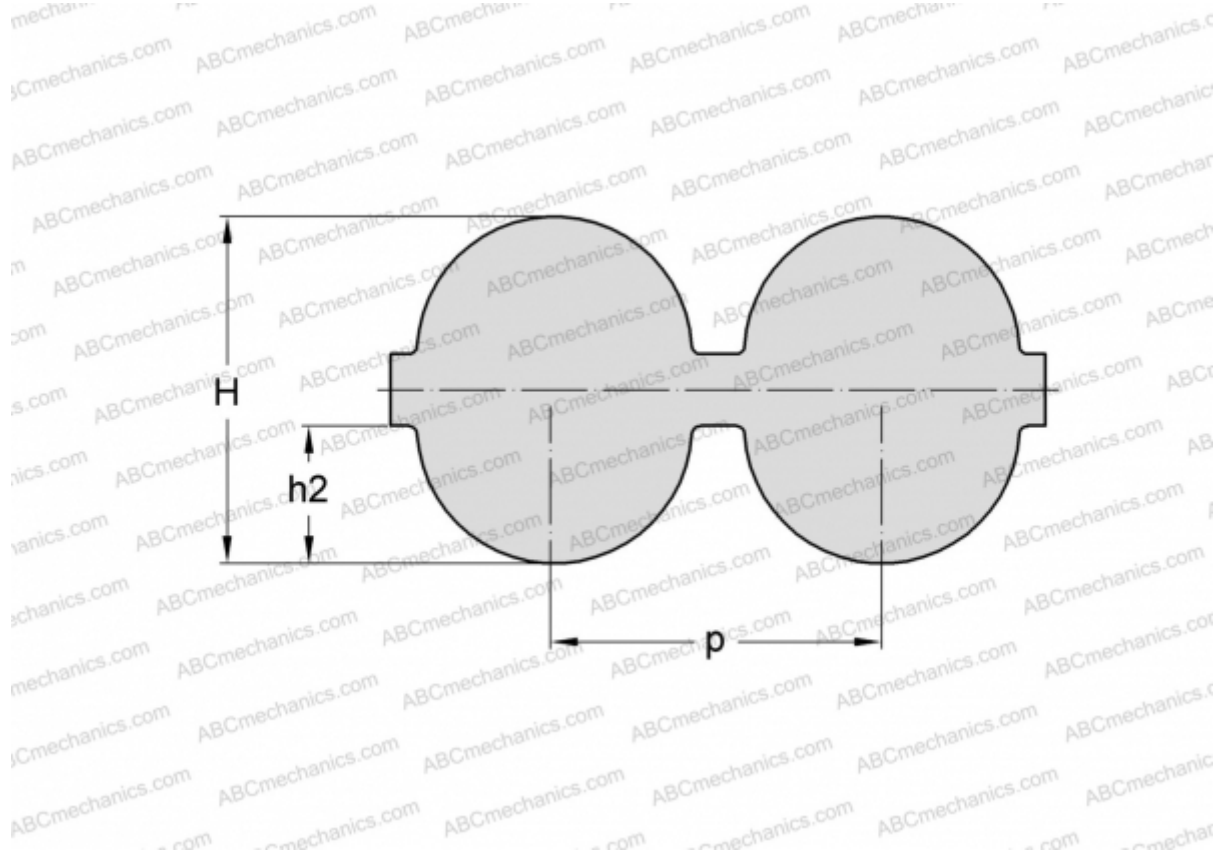


## PHG DA-2100-14M-170 SKF

Double-sided HiTD belt

TYPE: Classical timing belts, Twoway, HiTD, Section D-14M (SKF)



### Technical specification

#### DIMENSIONS, MM

|                  |          |
|------------------|----------|
| Pitch teeth, p   | 14,000   |
| Estimated length | 2100,000 |
| Width, W         | 170,000  |
| Height, H        | 14,800   |
| h2               | 6,000    |
| Number of teeth  | 150      |

#### MANUFACTURER

[SKF](#)