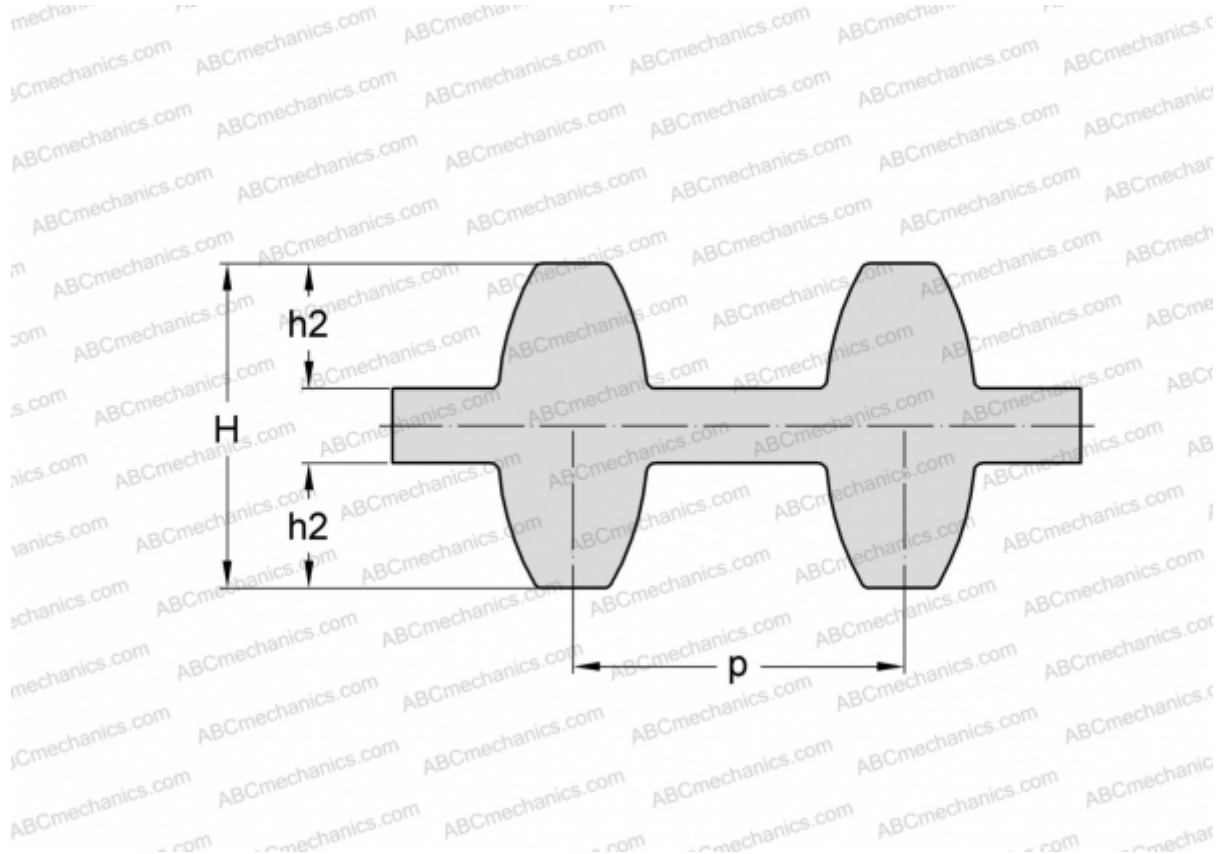


## PHG DS8M-1912-50 SKF

Double-sided HiTD belt

TYPE: Classical timing belts, Twoway, Super Torque, Section DS8M (SKF)



### Technical specification

#### DIMENSIONS, MM

|                  |          |
|------------------|----------|
| Pitch teeth, p   | 8,000    |
| Estimated length | 1912,000 |
| Width, W         | 50,000   |
| Height, H        | 7,470    |
| h2               | 3,050    |
| Number of teeth  | 239      |

**MANUFACTURER** [SKF](#)