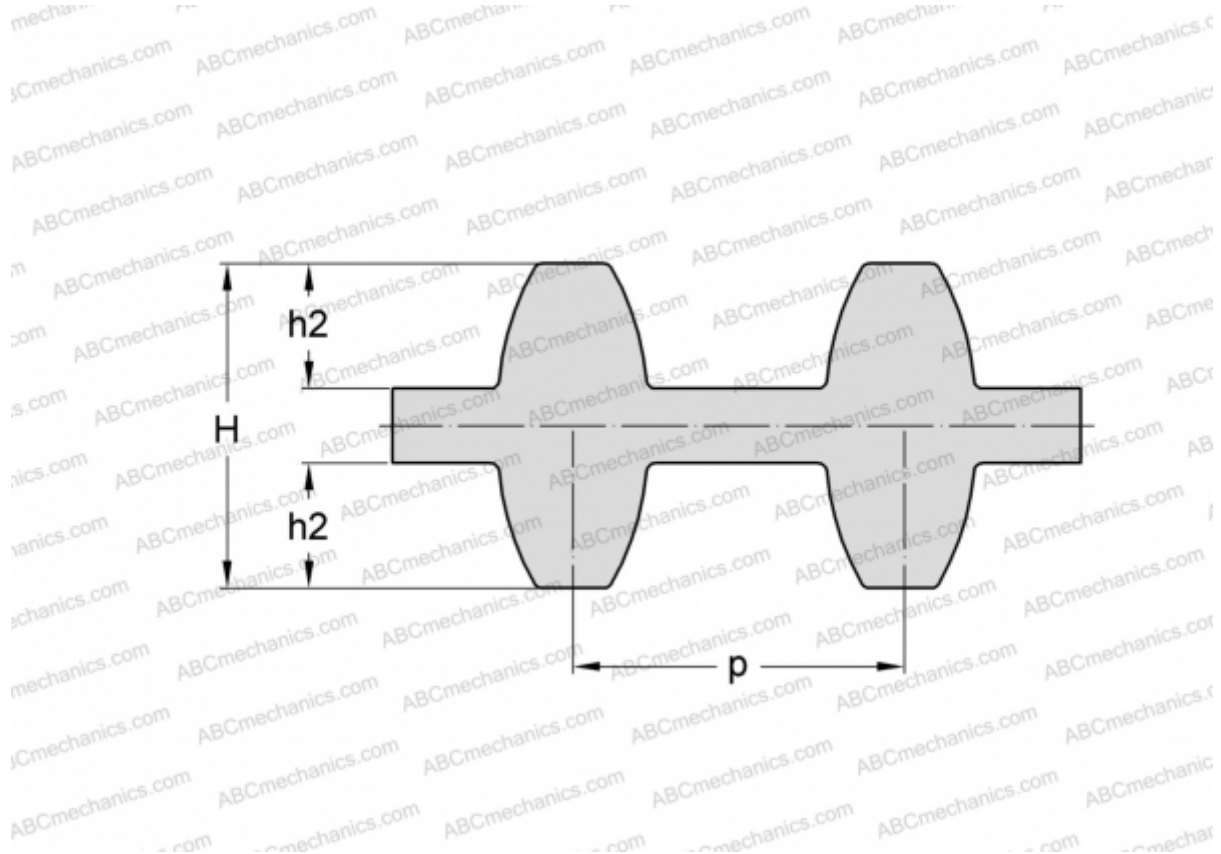


PHG DS8M-5600-20 SKF

Double-sided HiTD belt

TYPE: Classical timing belts, Twoway, Super Torque, Section DS8M (SKF)



Technical specification

DIMENSIONS, MM

| | |
|------------------|----------|
| Pitch teeth, p | 8,000 |
| Estimated length | 5600,000 |
| Width, W | 20,000 |
| Height, H | 7,470 |
| h2 | 3,050 |
| Number of teeth | 700 |

MANUFACTURER

[SKF](#)