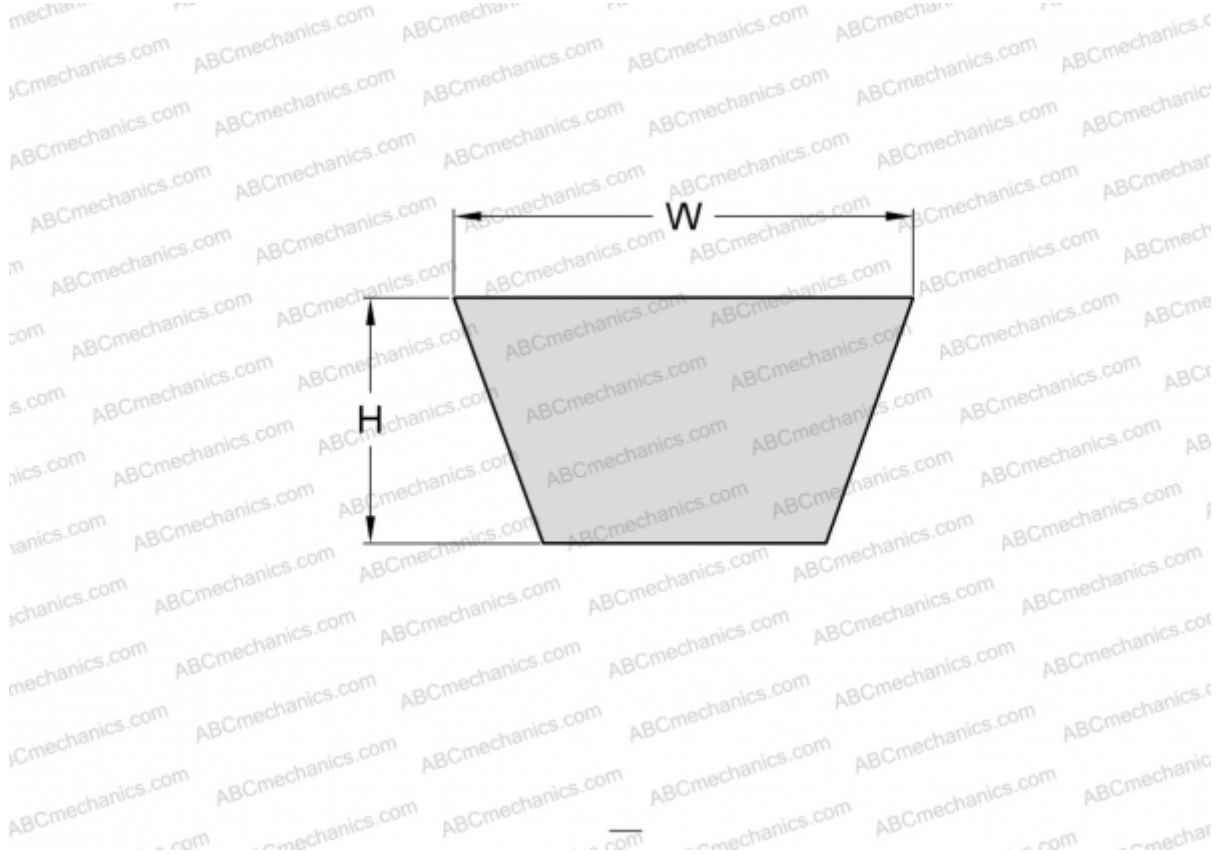


## PHG Z39 SKF

Wrapped classical belt

TYPE: V- belts, Classical, Wrapped, Section 10/Z (SKF)



### Technical specification

#### DIMENSIONS, MM

|                  |          |
|------------------|----------|
| Estimated length | 1015,000 |
| Inner length     | 991,000  |
| Width, W         | 10,000   |
| Height, H        | 6,000    |

#### MANUFACTURER

[SKF](#)