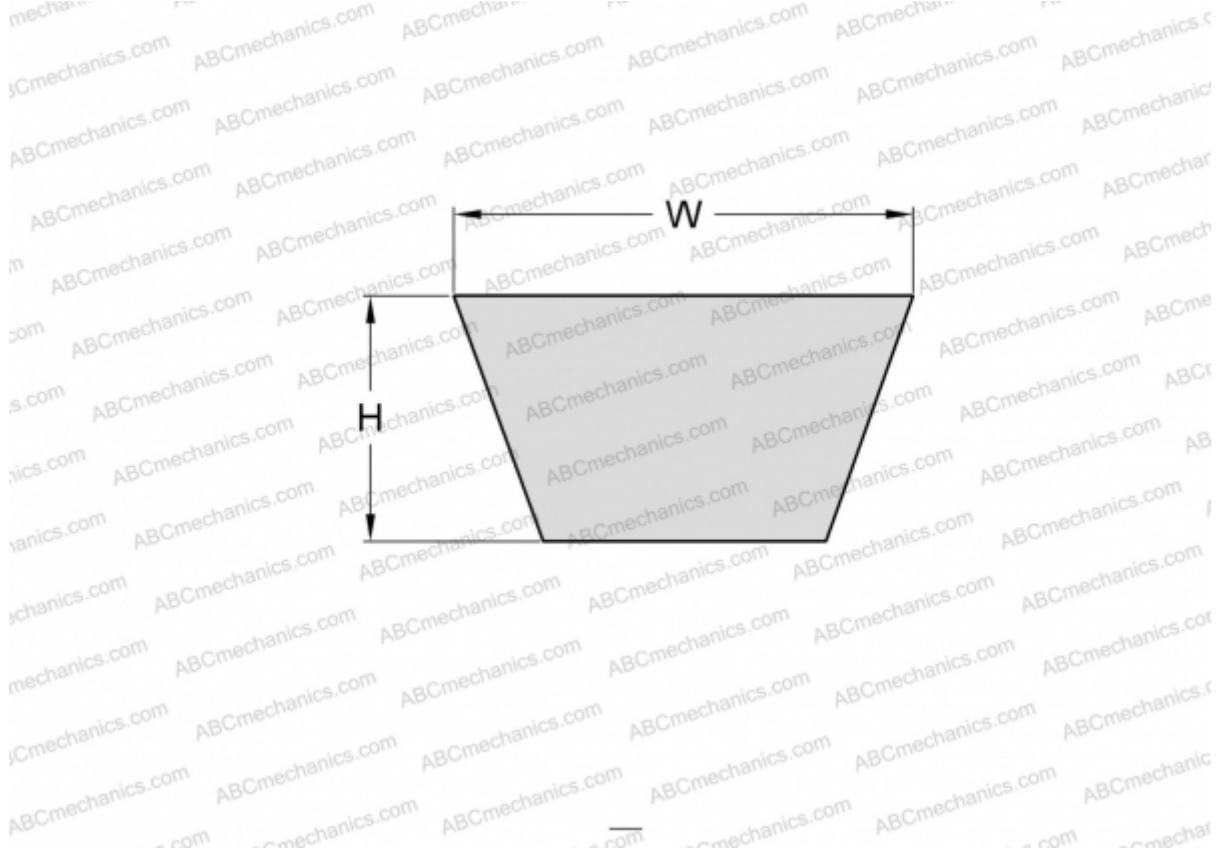


PHG A95 SKF

Wrapped classical belt

TYPE: V- belts, Classical, Wrapped, Section 13/A (SKF)



Technical specification

DIMENSIONS, MM

| | |
|------------------|----------|
| Estimated length | 2450,000 |
| Inner length | 2413,000 |
| Width, W | 13,000 |
| Height, H | 8,000 |

MANUFACTURER

[SKF](#)