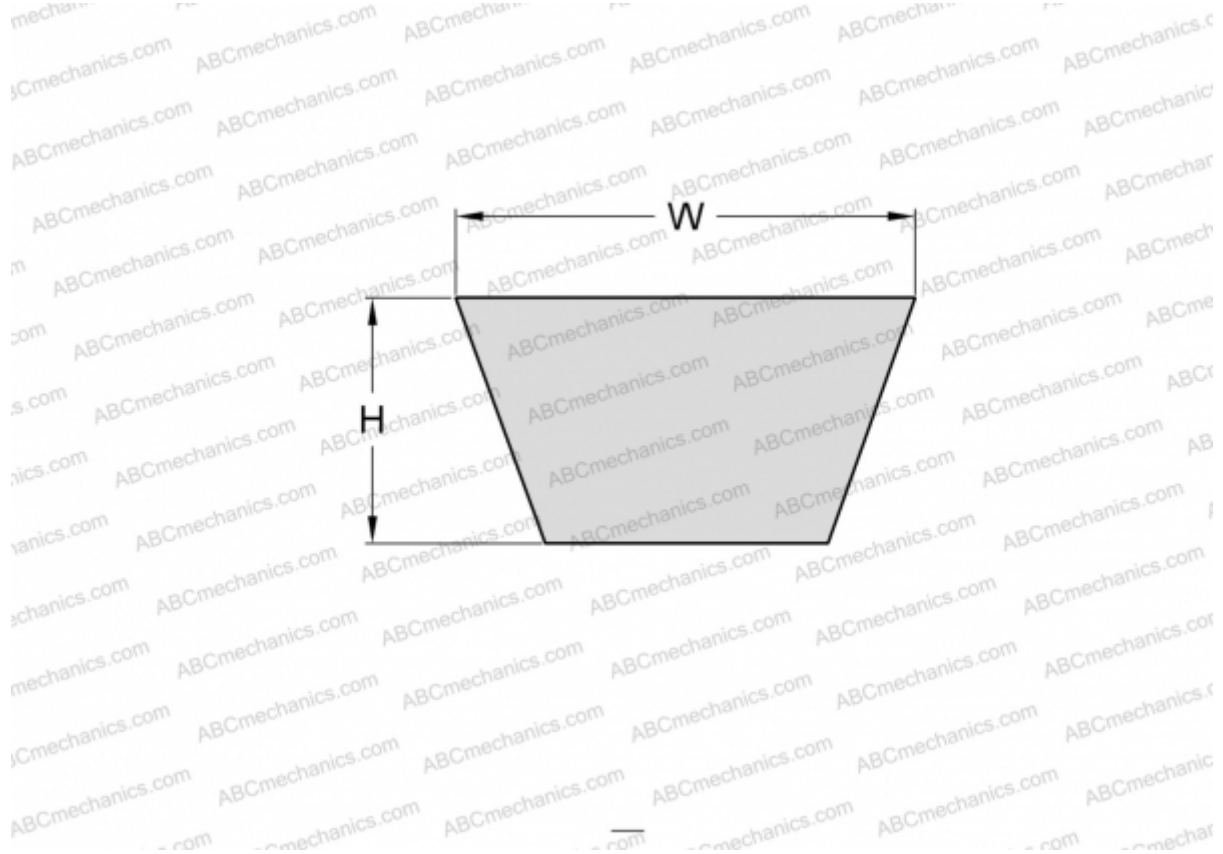


## PHG B84 SKF

Wrapped classical belt

TYPE: V- belts, Classical, Wrapped, Section 17/B (SKF)



### Technical specification

#### DIMENSIONS, MM

|                  |          |
|------------------|----------|
| Estimated length | 2180,000 |
| Inner length     | 2134,000 |
| Width, W         | 17,000   |
| Height, H        | 11,000   |

#### MANUFACTURER

[SKF](#)