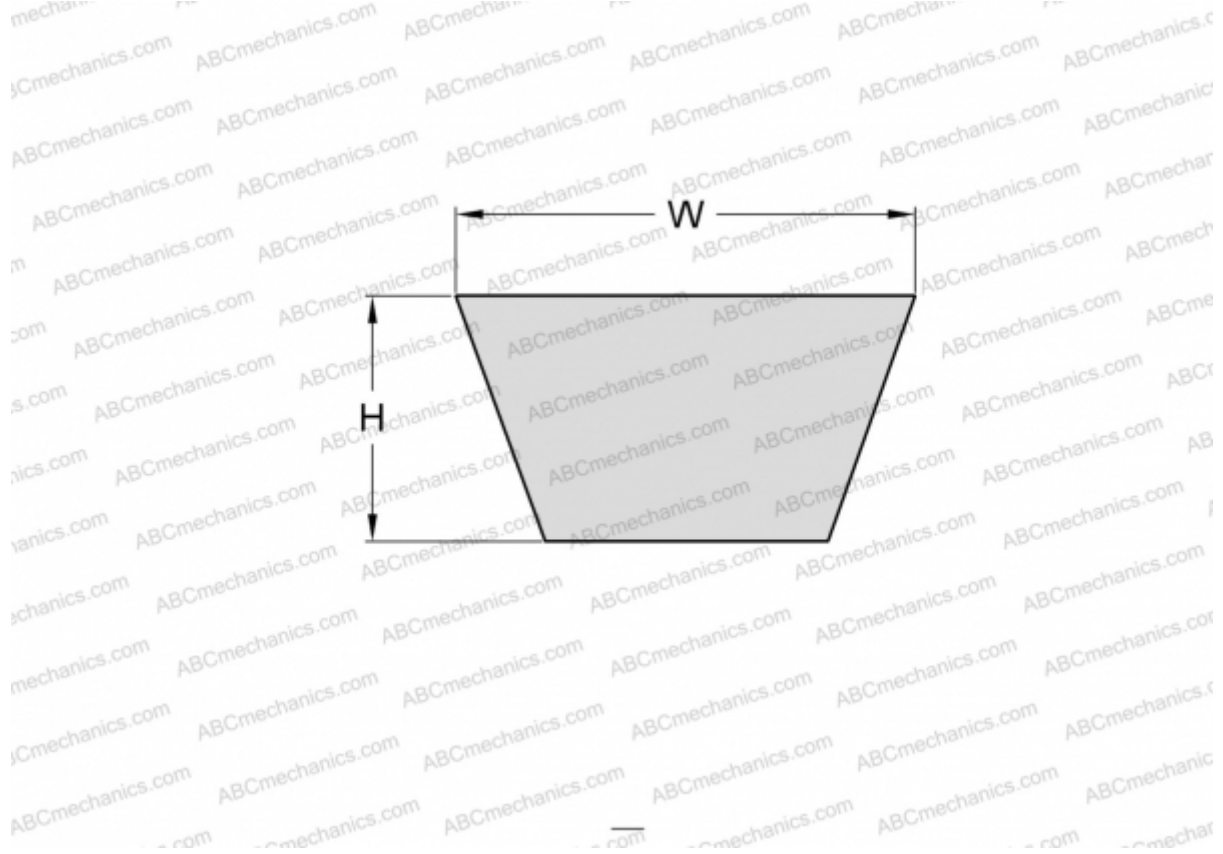


PHG B105 SKF

Wrapped classical belt

TYPE: V- belts, Classical, Wrapped, Section 17/B (SKF)



Technical specification

DIMENSIONS, MM

Estimated length	2700,000
Inner length	2667,000
Width, W	17,000
Height, H	11,000

MANUFACTURER

[SKF](#)