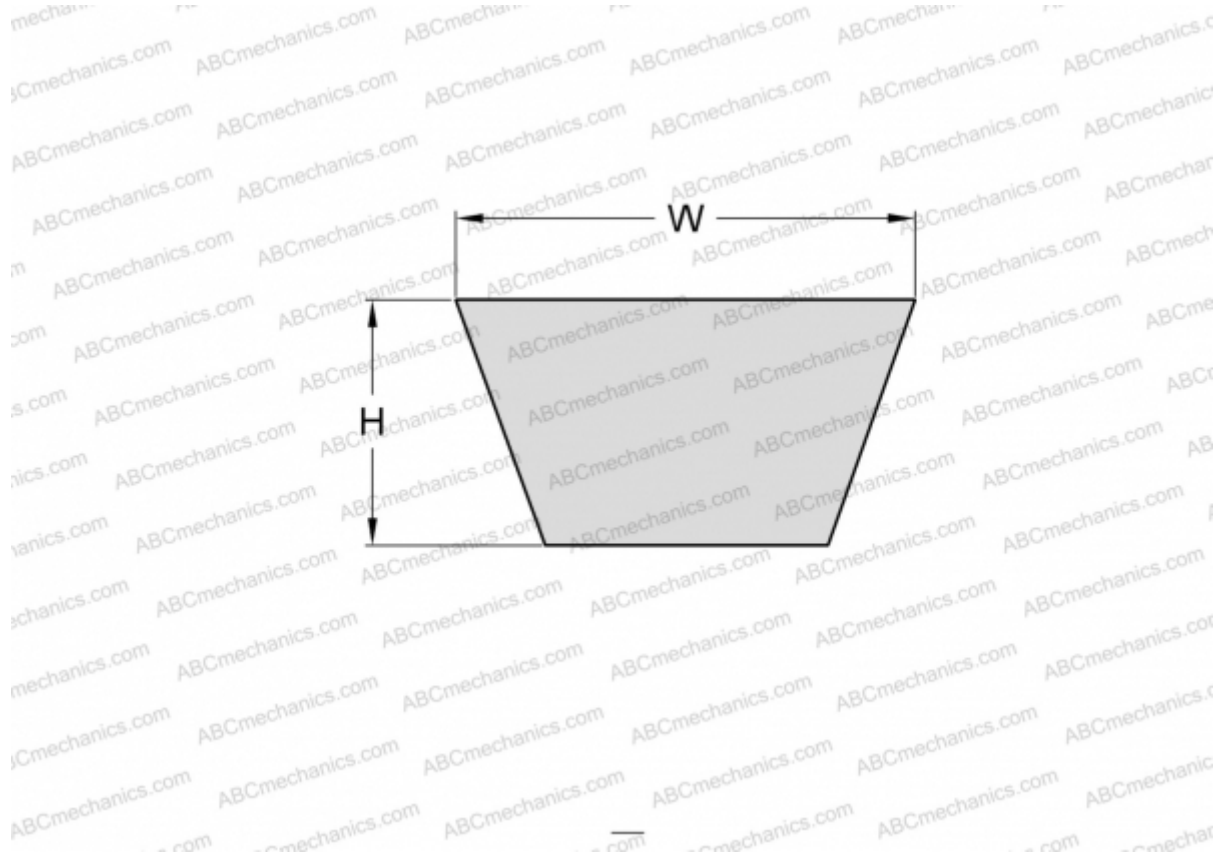


PHG C112 SKF

Wrapped classical belt

TYPE: V- belts, Classical, Wrapped, Section 22/C (SKF)



Technical specification

DIMENSIONS, MM

Estimated length	2900,000
Inner length	2845,000
Width, W	14,000
Height, H	22,000

MANUFACTURER

[SKF](#)