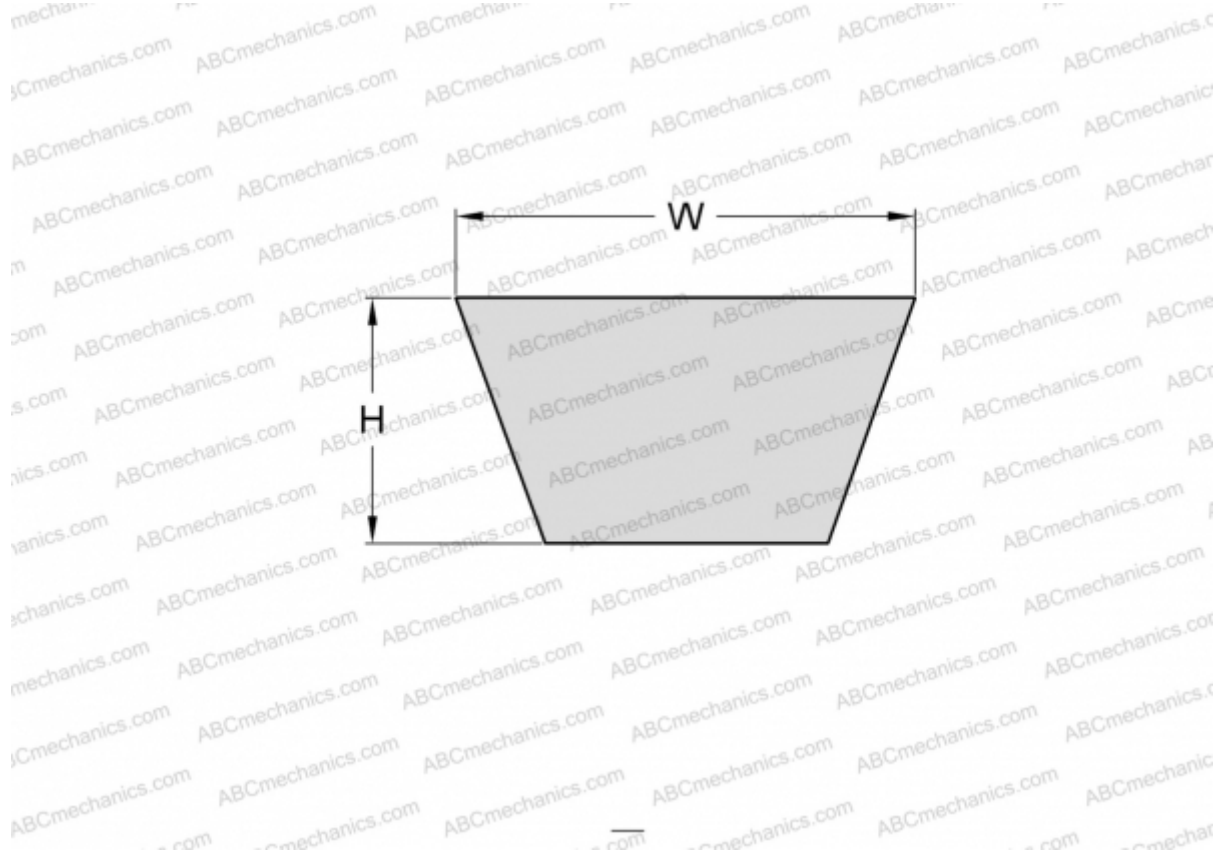


PHG D240 SKF

Wrapped classical belt

TYPE: V- belts, Classical, Wrapped, Section 32/D (SKF)



Technical specification

DIMENSIONS, MM

| | |
|------------------|----------|
| Estimated length | 6170,000 |
| Inner length | 6096,000 |
| Width, W | 32,000 |
| Height, H | 20,000 |

MANUFACTURER

[SKF](#)