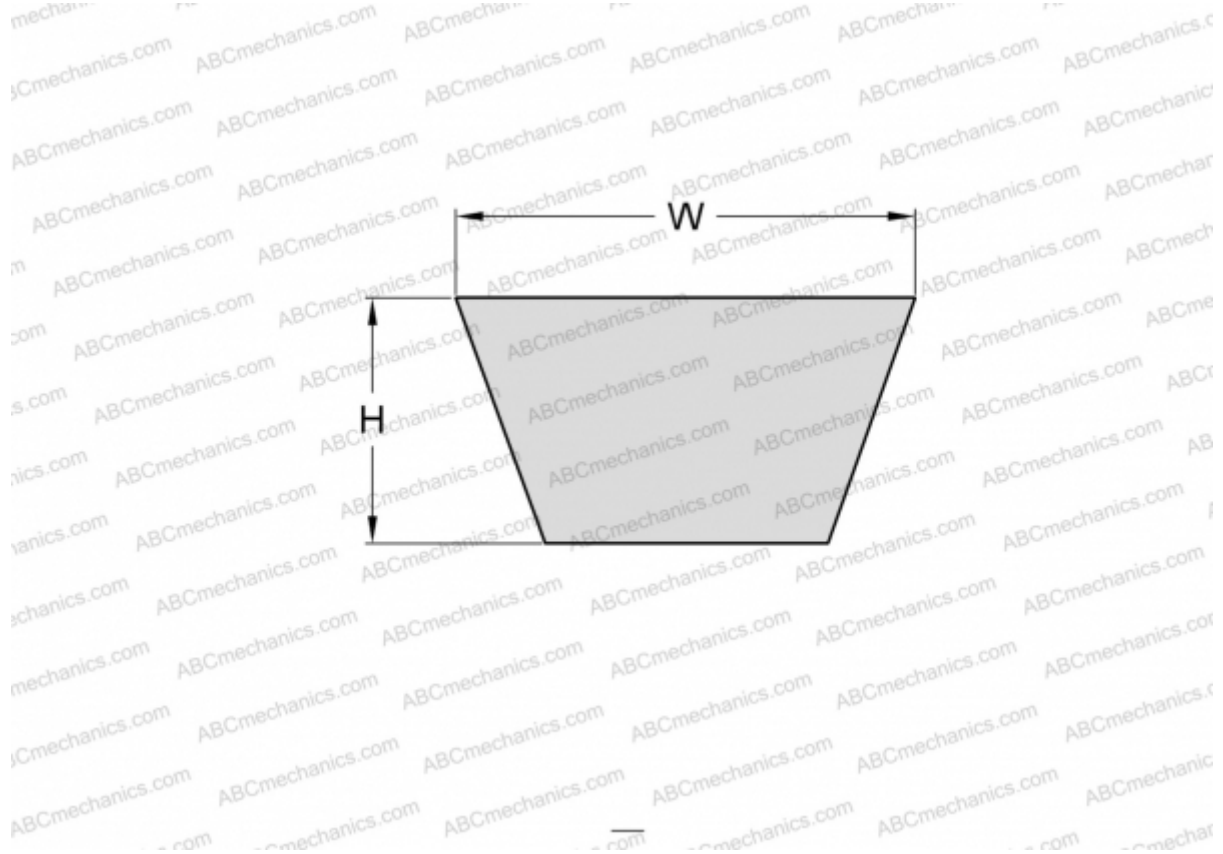


## PHG ZX63 SKF

Cogged raw edge classical belt

TYPE: V- belts, Classical, Cogged raw edge, Section X10/ZX (SKF)



### Technical specification

#### DIMENSIONS, MM

Estimated length	1620,000
Inner length	1600,000
Width, W	10,000
Height, H	6,000

**MANUFACTURER** [SKF](#)