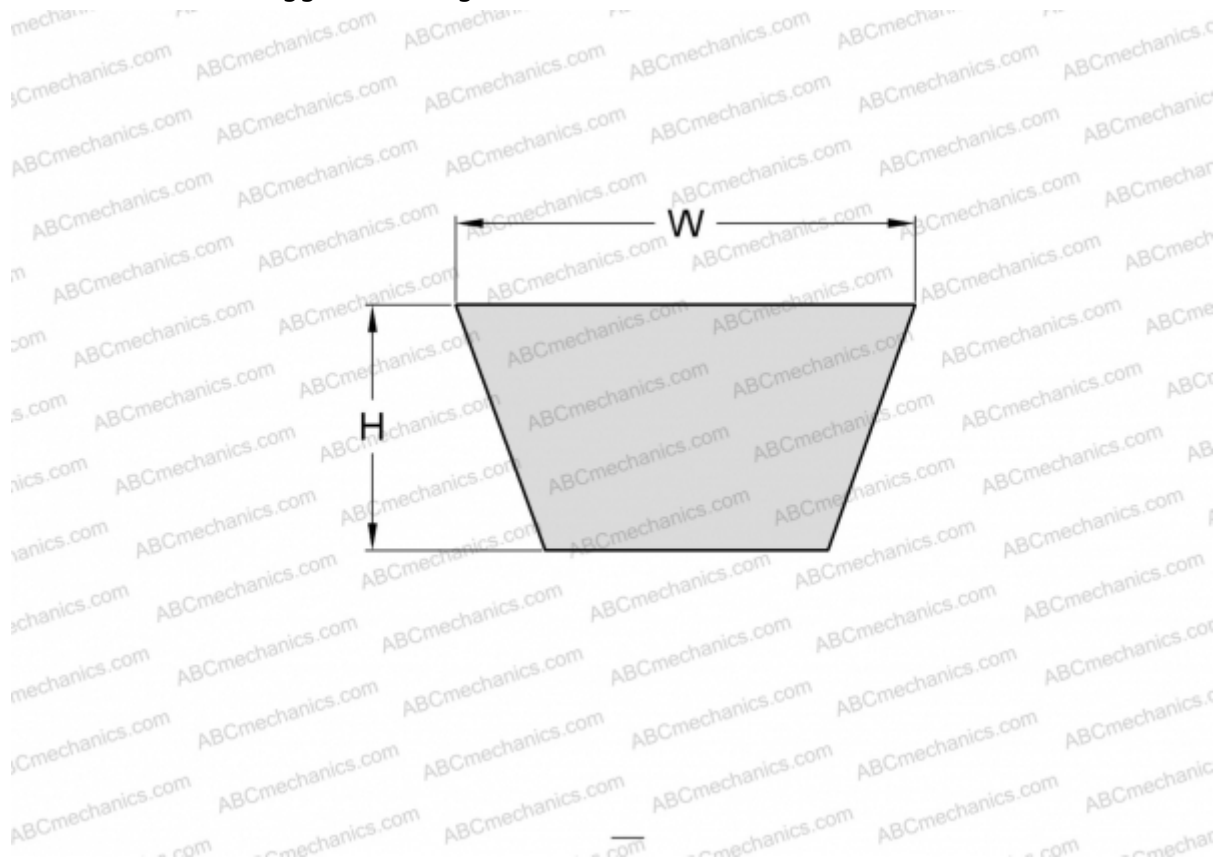


## PHG AX40 SKF

Cogged raw edge classical belt

TYPE: V- belts, Classical, Cogged raw edge, Section X13/AX (SKF)



### Technical specification

#### DIMENSIONS, MM

Estimated length	1050,000
Inner length	1016,000
Width, W	13,000
Height, H	8,000

#### MANUFACTURER

[SKF](#)