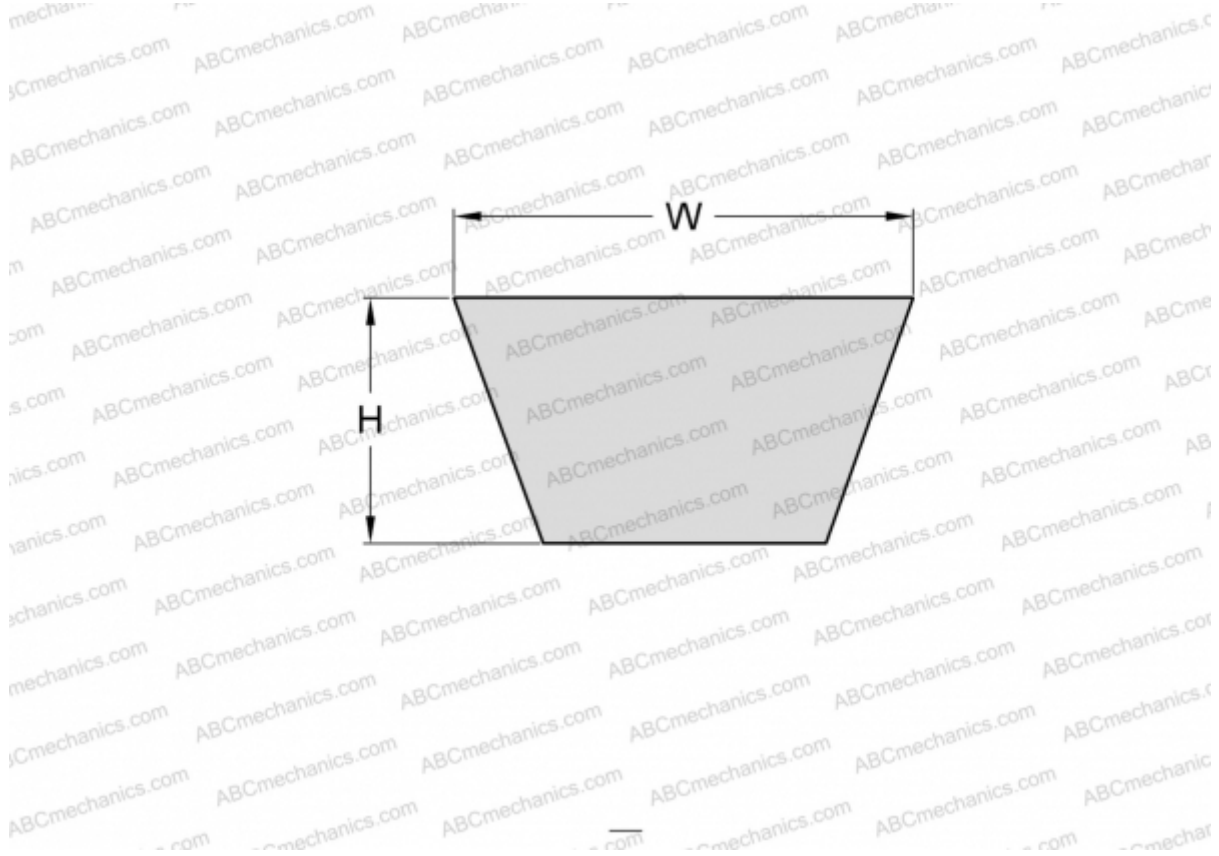


PHG CX59 SKF

Cogged raw edge classical belt

TYPE: V- belts, Classical, Cogged raw edge, Section X22/CX (SKF)



Technical specification

DIMENSIONS, MM

| | |
|------------------|----------|
| Estimated length | 1560,000 |
| Inner length | 1499,000 |
| Width, W | 22,000 |
| Height, H | 14,000 |

MANUFACTURER

[SKF](#)