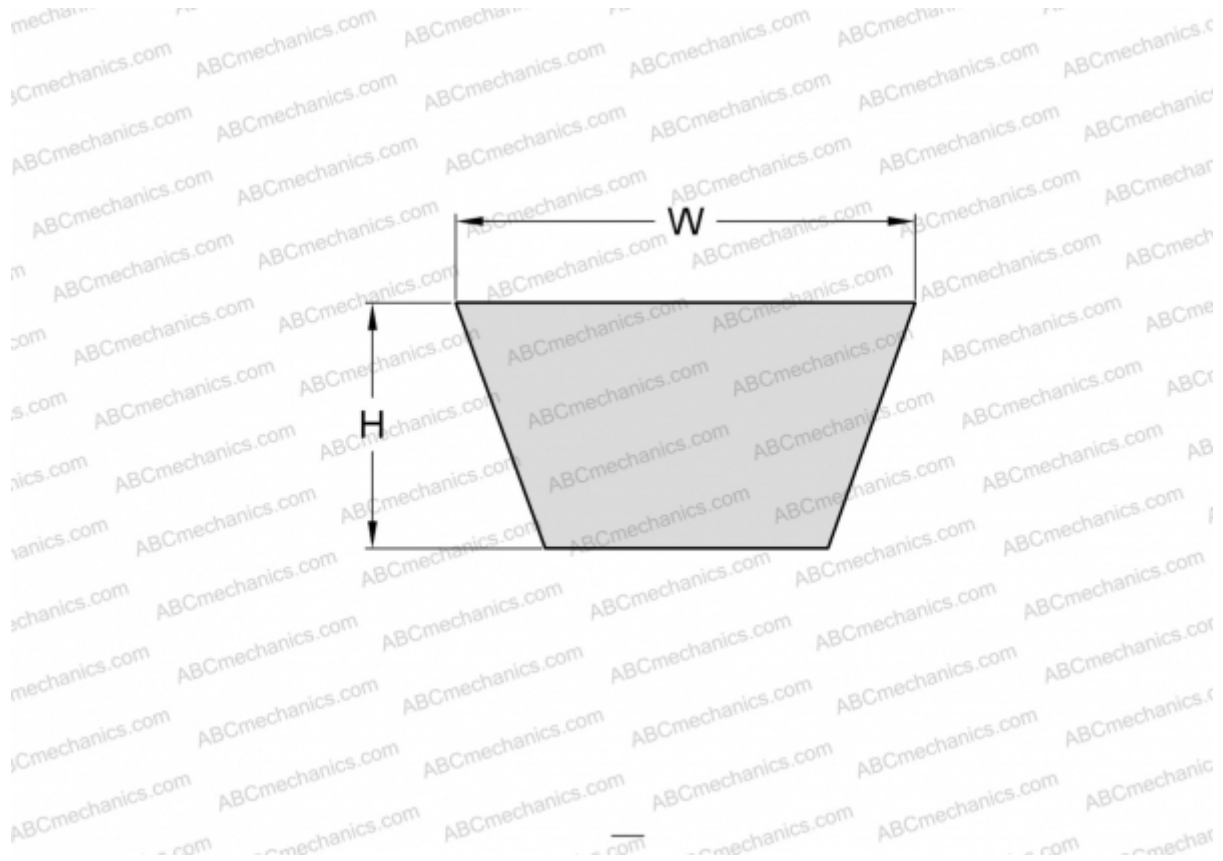


# PHG CX90 SKF

Cogged raw edge classical belt

TYPE: V- belts, Classical, Cogged raw edge, Section X22/CX (SKF)



## Technical specification

### DIMENSIONS, MM

Estimated length	2340,000
Inner length	2286,000
Width, W	22,000
Height, H	14,000

### MANUFACTURER

[SKF](#)