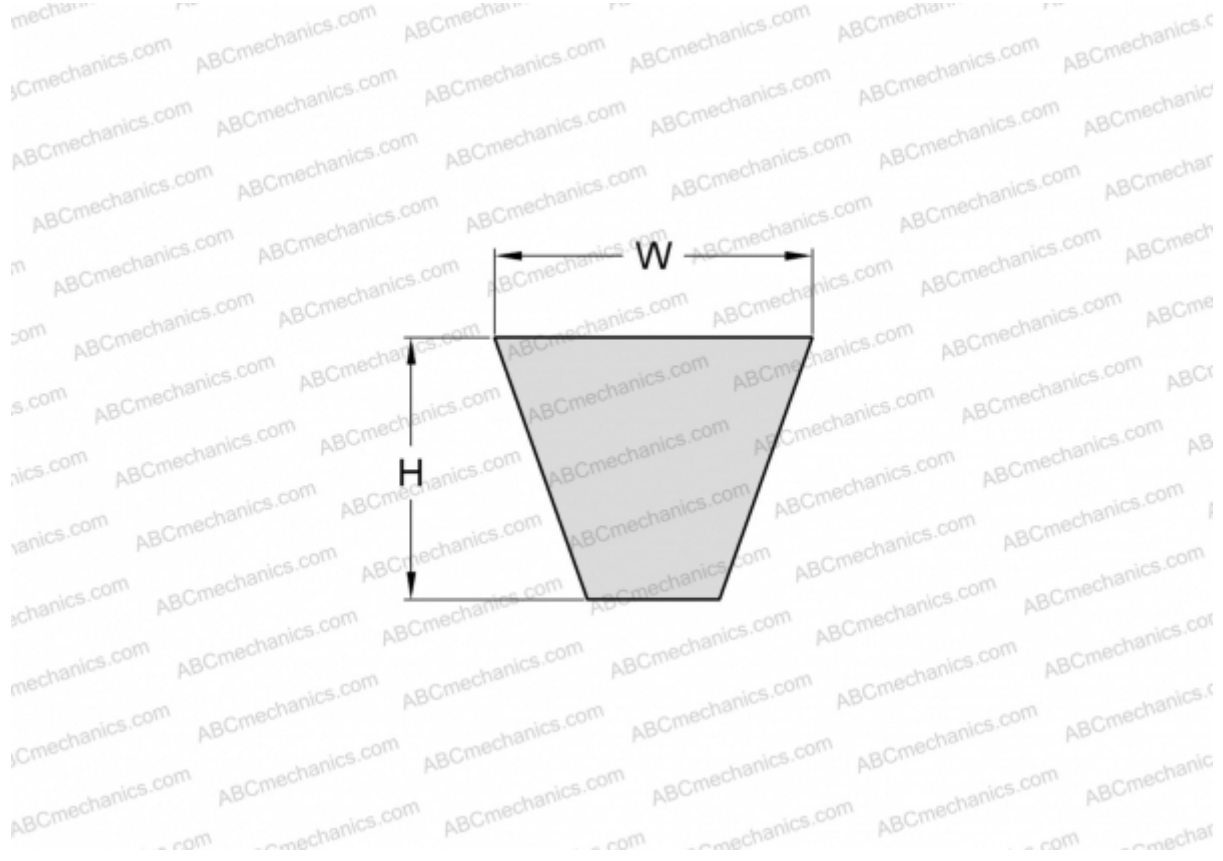


## PHG SPZ1500 SKF

Wrapped wedge belt

TYPE: V- belts, Narrow, Wrapped, Section SPZ (SKF)



### Technical specification

#### DIMENSIONS, MM

Estimated length	1500,000
Width, W	9,700
Height, H	8,000

#### MANUFACTURER

[SKF](#)