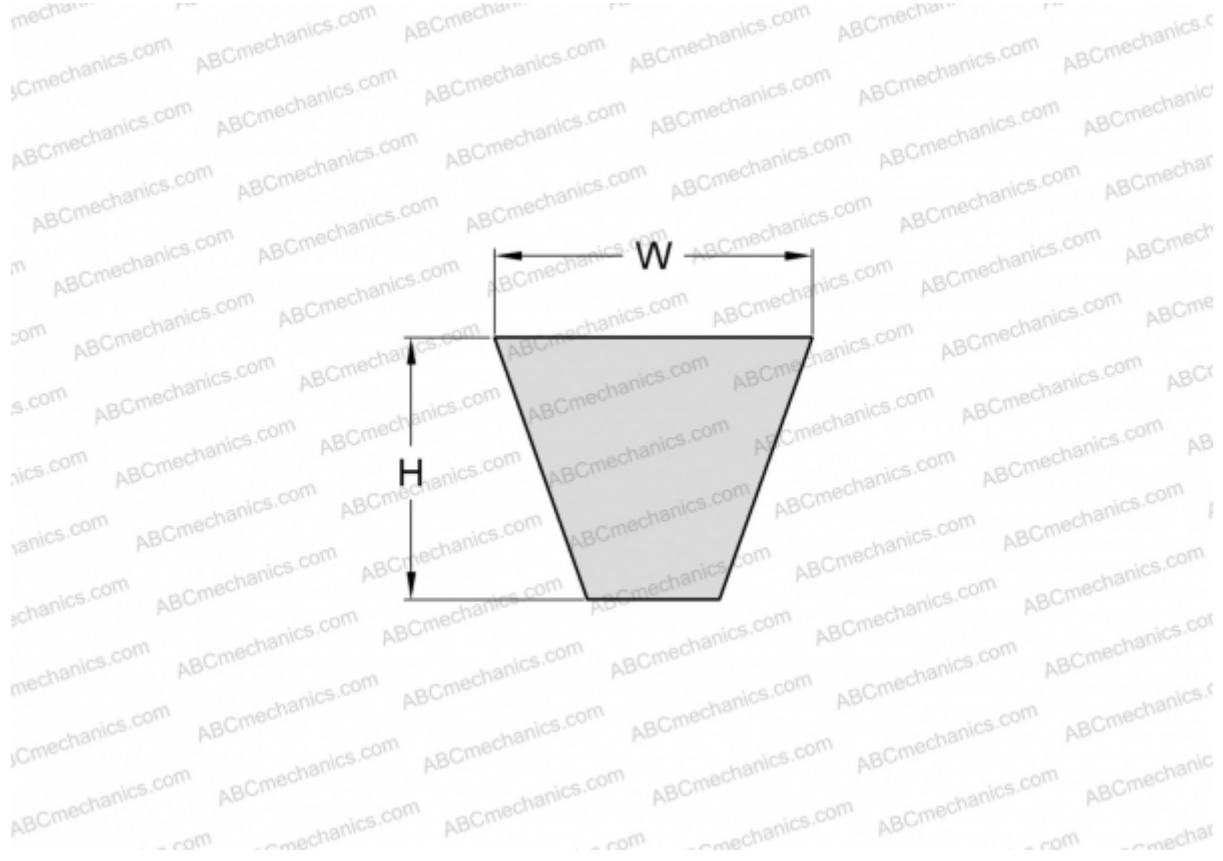


## PHG SPA950 SKF

Wrapped wedge belt

TYPE: V- belts, Narrow, Wrapped, Section SPA (SKF)



### Technical specification

#### DIMENSIONS, MM

Estimated length	950,000
Width, W	12,700
Height, H	10,000

#### MANUFACTURER

[SKF](#)