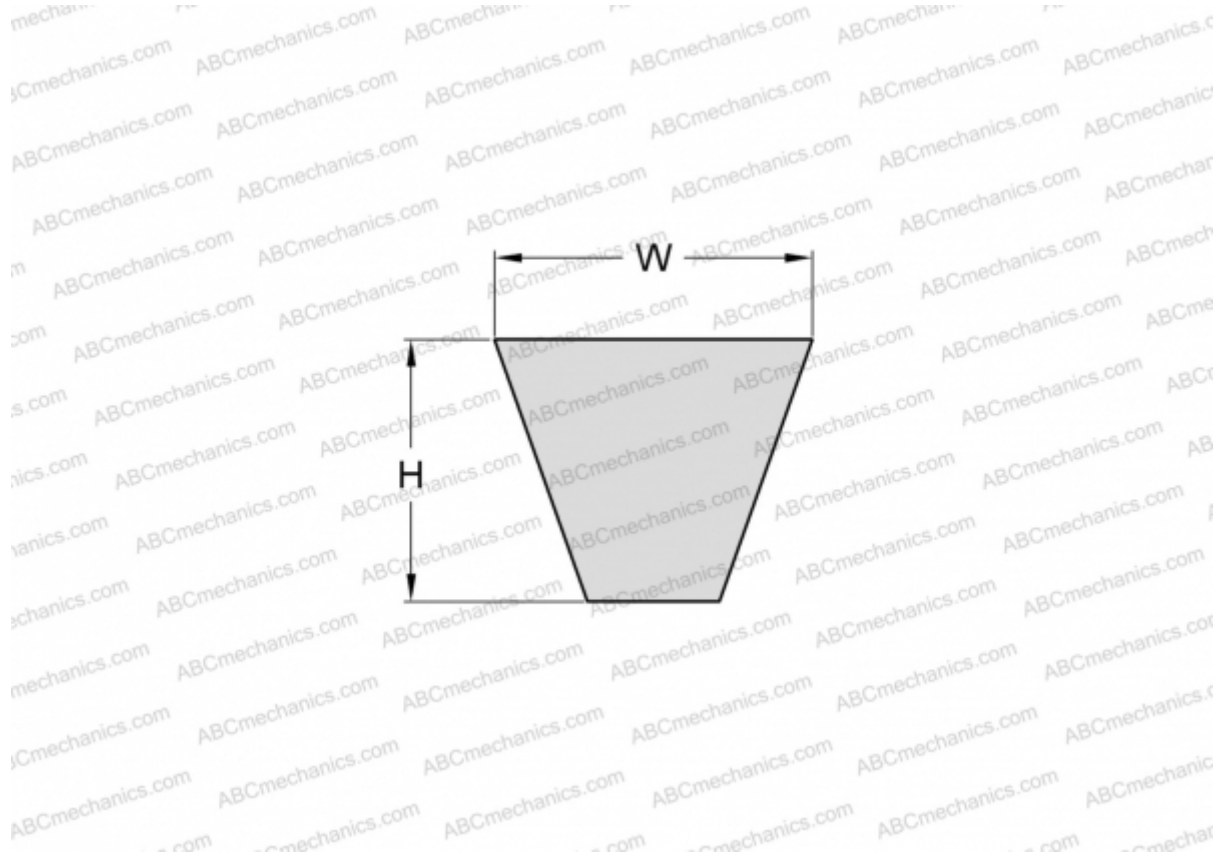


PHG XPZ772 SKF

Cogged raw edge wedge belt

TYPE: V- belts, Narrow, Cogged raw edge, Section XPZ (SKF)



Technical specification

DIMENSIONS, MM

| | |
|------------------|---------|
| Estimated length | 772,000 |
| Width, W | 9,700 |
| Height, H | 8,000 |

MANUFACTURER

[SKF](#)