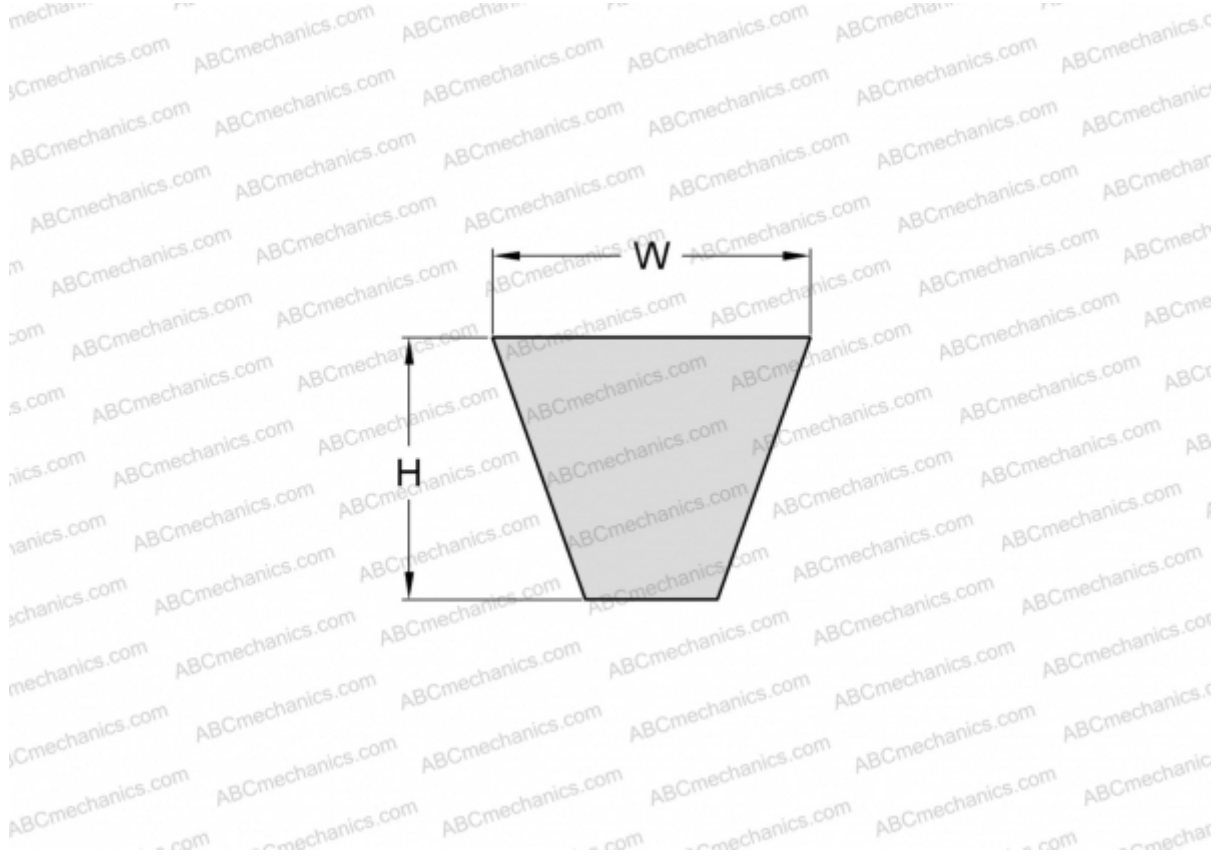


## PHG XPZ962 SKF

Cogged raw edge wedge belt

TYPE: V- belts, Narrow, Cogged raw edge, Section XPZ (SKF)



### Technical specification

#### DIMENSIONS, MM

|                  |         |
|------------------|---------|
| Estimated length | 962,000 |
| Width, W         | 9,700   |
| Height, H        | 8,000   |

#### MANUFACTURER

[SKF](#)