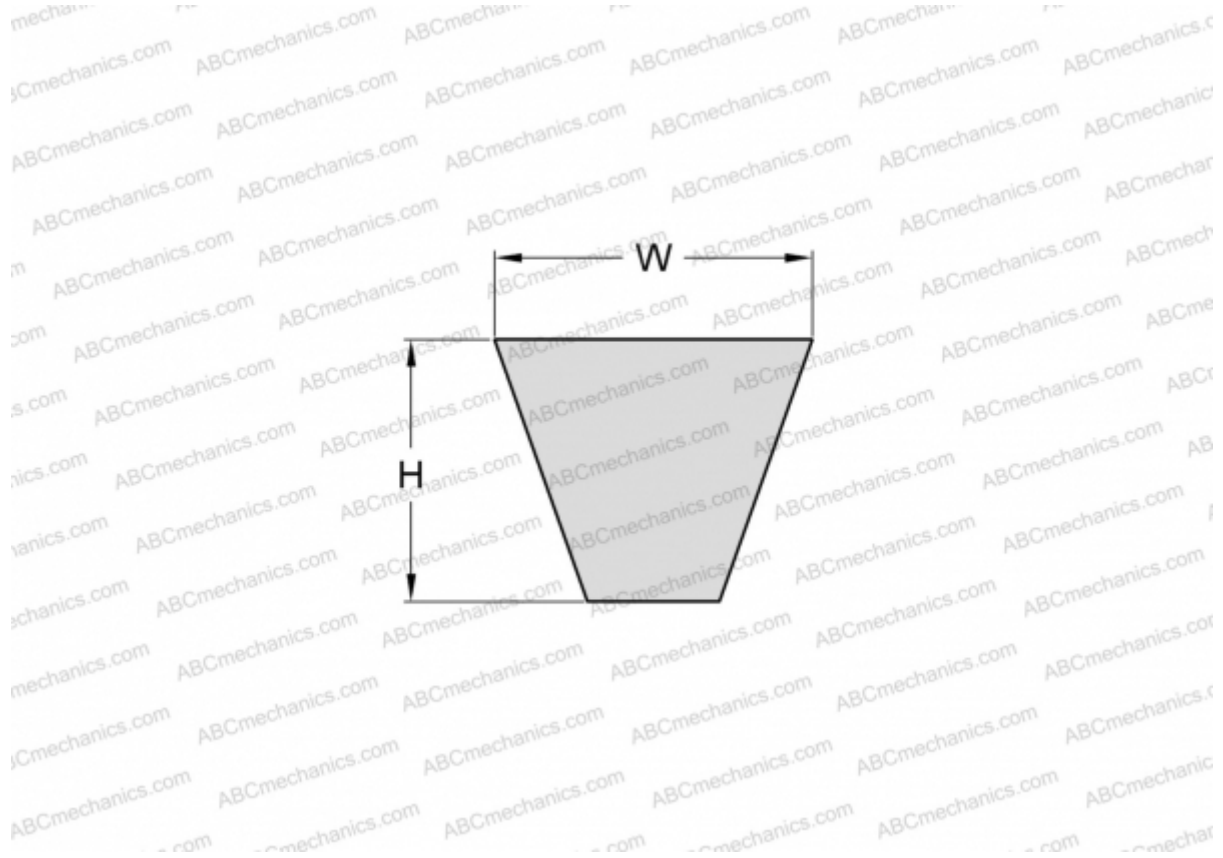


PHG XPA782 SKF

Cogged raw edge wedge belt

TYPE: V- belts, Narrow, Cogged raw edge, Section XPA (SKF)



Technical specification

DIMENSIONS, MM

Estimated length	782,000
Width, W	12,700
Height, H	10,000

MANUFACTURER

[SKF](#)