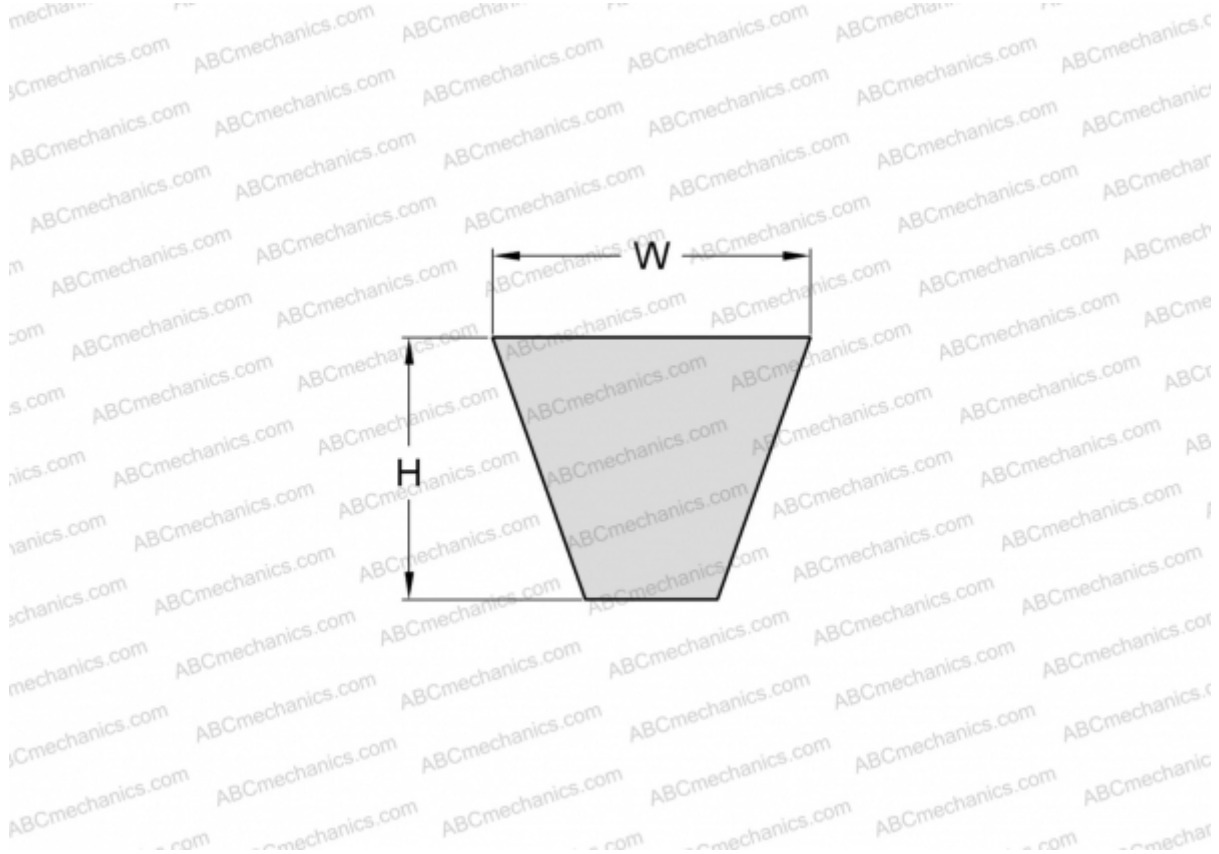


## PHG XPA1500 SKF

Cogged raw edge wedge belt

TYPE: V- belts, Narrow, Cogged raw edge, Section XPA (SKF)



### Technical specification

#### DIMENSIONS, MM

Estimated length	1500,000
Width, W	12,700
Height, H	10,000

#### MANUFACTURER

[SKF](#)