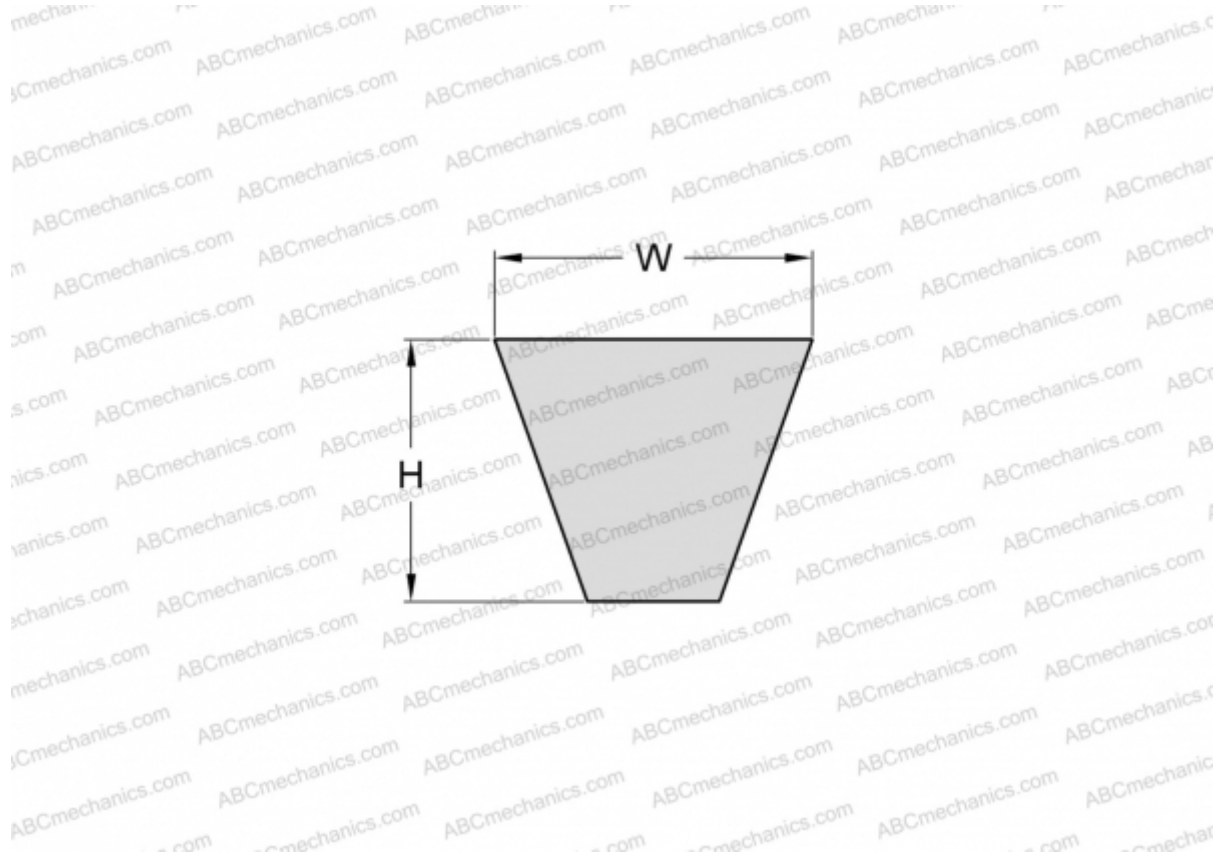


PHG XPA1532 SKF

Cogged raw edge wedge belt

TYPE: V- belts, Narrow, Cogged raw edge, Section XPA (SKF)



Technical specification

DIMENSIONS, MM

| | |
|------------------|----------|
| Estimated length | 1532,000 |
| Width, W | 12,700 |
| Height, H | 10,000 |

MANUFACTURER

[SKF](#)