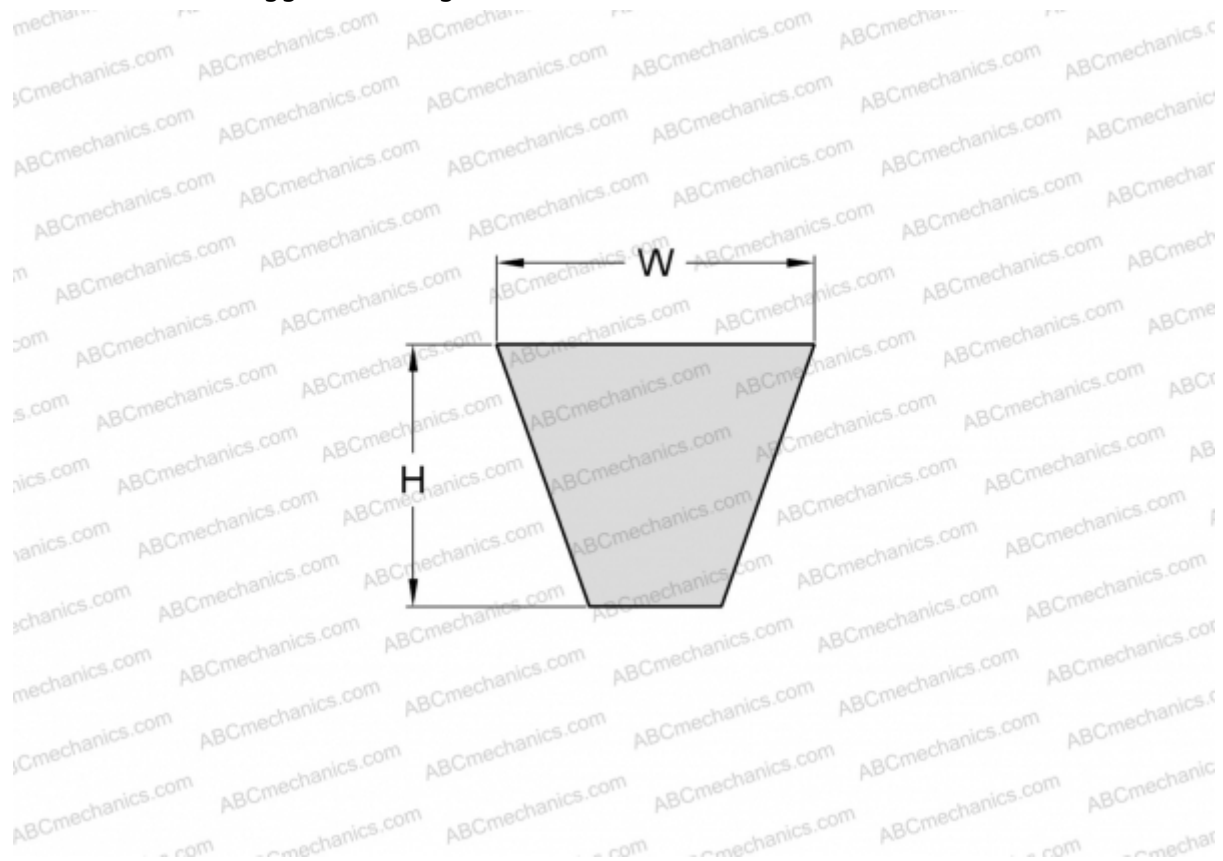


## PHG XPC2000 SKF

Cogged raw edge wedge belt

TYPE: V- belts, Narrow, Cogged raw edge, Section XPC (SKF)



### Technical specification

#### DIMENSIONS, MM

Estimated length	2000,000
Width, W	22,000
Height, H	18,000

#### MANUFACTURER

[SKF](#)