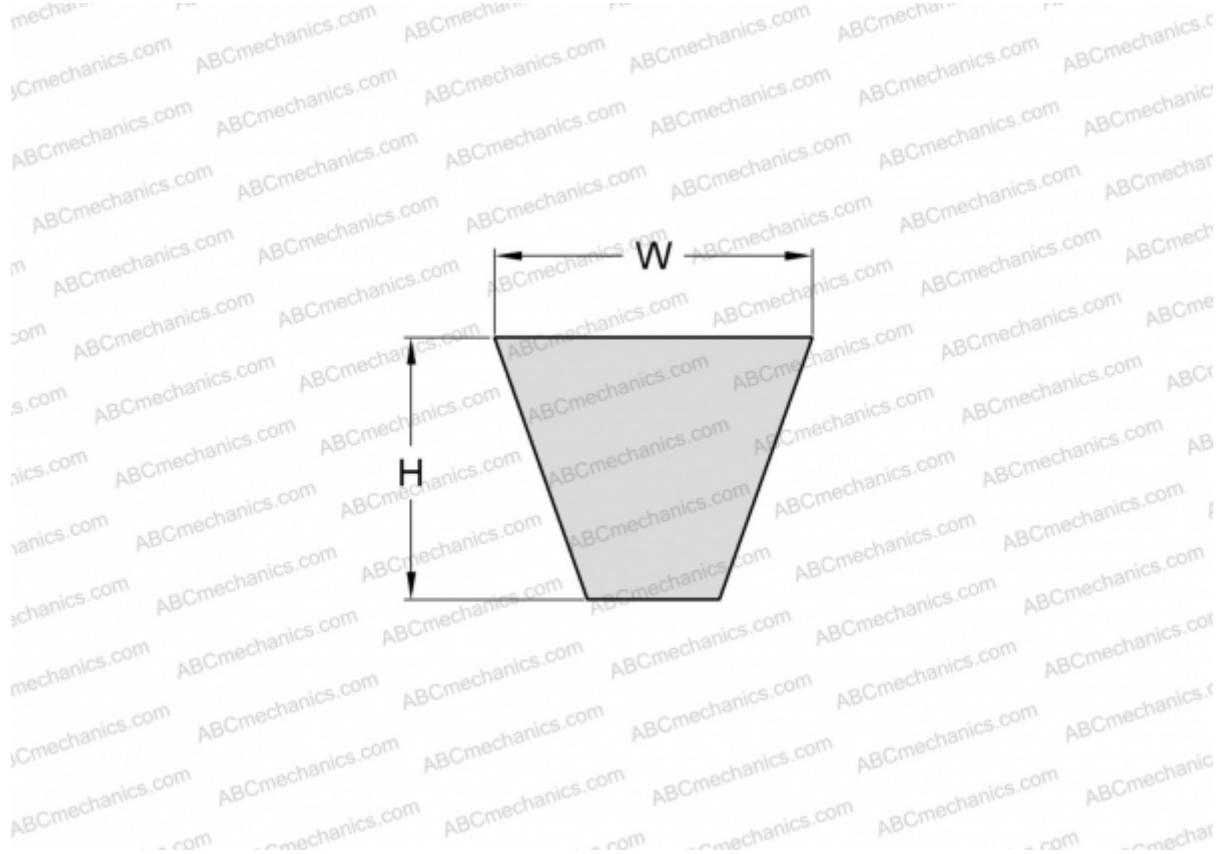


PHG XPC3350 SKF

Cogged raw edge wedge belt

TYPE: V- belts, Narrow, Cogged raw edge, Section XPC (SKF)



Technical specification

DIMENSIONS, MM

Estimated length	3350,000
Width, W	22,000
Height, H	18,000

MANUFACTURER

[SKF](#)